

PARTS LIST

CAUTION

- The parts identified by the \triangle symbol are important for the safety . Whenever replacing these parts, be sure to use specified ones to secure the safety .
- The parts not indicated in this Parts List and those which are filled with lines --- in the Parts No. columns will not be supplied .
- P. W. Board Ass'y will not be supplied, but those which are filled with the Parts No. in the Parts No. columns will be supplied .

ABBREVIATIONS OF RESISTORS, CAPACITORS AND TOLERANCES

RESISTORS		CAPACITORS	
C R	Carbon Resistor	C CAP.	Ceramic Capacitor
F R	Fusible Resistor	E CAP.	Electrolytic Capacitor
P R	Plate Resistor	M CAP.	Mylar Capacitor
V R	Variable Resistor	HV CAP.	High Voltage Capacitor
HV R	High Voltage Resistor	MF CAP.	Metalized Film Capacitor
MF R	Metal Film Resistor	MM CAP.	Metalized Mylar Capacitor
MG R	Metal Glazed Resistor	MP CAP.	Metalized Polystyrol Capacitor
MP R	Metal Plate Resistor	PP CAP.	Polypropylene Capacitor
OM R	Metal Oxide Film Resistor	PS CAP.	Polystyrol Capacitor
CMF R	Coating Metal Film Resistor	TF CAP.	Thin Film Capacitor
UNF R	Non-Flammable Resistor	MPP CAP.	Metalized Polypropylene Capacitor
CH V R	Chip Variable Resistor	TAN. CAP.	Tantalum Capacitor
CH MG R	Chip Metal Glazed Resistor	CH C CAP.	Chip Ceramic Capacitor
COMP. R	Composition Resistor	BP E CAP.	Bi-Polar Electrolytic Capacitor
LPTC R	Linear Positive Temperature Coefficient Resistor	CH AL E CAP.	Chip Aluminum Electrolytic Capacitor
		CH AL BP CAP.	Chip Aluminum Bi-Polar Capacitor
		CH TAN. E CAP.	Chip Tantalum Electrolytic Capacitor
		CH AL BP E CAP.	Chip Tantalum Bi-Polar Electrolytic Capacitor

RESISTORS									
F	G	J	K	M	N	R	H	Z	P
±1%	±2%	±5%	±10%	±20%	±30%	+30% -10%	+50% -10%	+80% -20%	+100% 0%

CONTENTS

USING P.W. BOARD & REMOTE CONTROL UNIT	39
EXPLODED VIEW PARTS LIST-I	39
EXPLODED VIEW-I	39
EXPLODED VIEW PARTS LIST-II	40
EXPLODED VIEW-II	41

PRINTED WIRING BOARD PARTS LIST (AV-34LS)

MAIN PW BOARD ASS'Y	42
CRT SOCKET PW BOARD ASS'Y	46
FRONT CONTROL PW BOARD ASS'Y	47
DIFFERENCE PARTS LIST BETWEEN AV-34LS, AV-34LS-AU AND AV-34LH	48

PRINTED WIRING BOARD PARTS LIST (AV-34LX)

MAIN PW BOARD ASS'Y	49
CRT SOCKET PW BOARD ASS'Y	53
FRONT CONTROL PW BOARD ASS'Y	53
DIFFERENCE PARTS LIST BETWEEN AV-34LX, AV-34LX-A AND AV-3408TEE	54

REMOTE CONTROL UNIT PARTS LIST

(AV-34LS, AV-34LS-AU, AV-34LH, AV-34LX, AV-34LX-A AND AV-3408TEE).....	54
---	-----------

PACKING / PACKING PARTS LIST	55
---	-----------

USING P.W. BOARD & REMOTE CONTROL UNIT

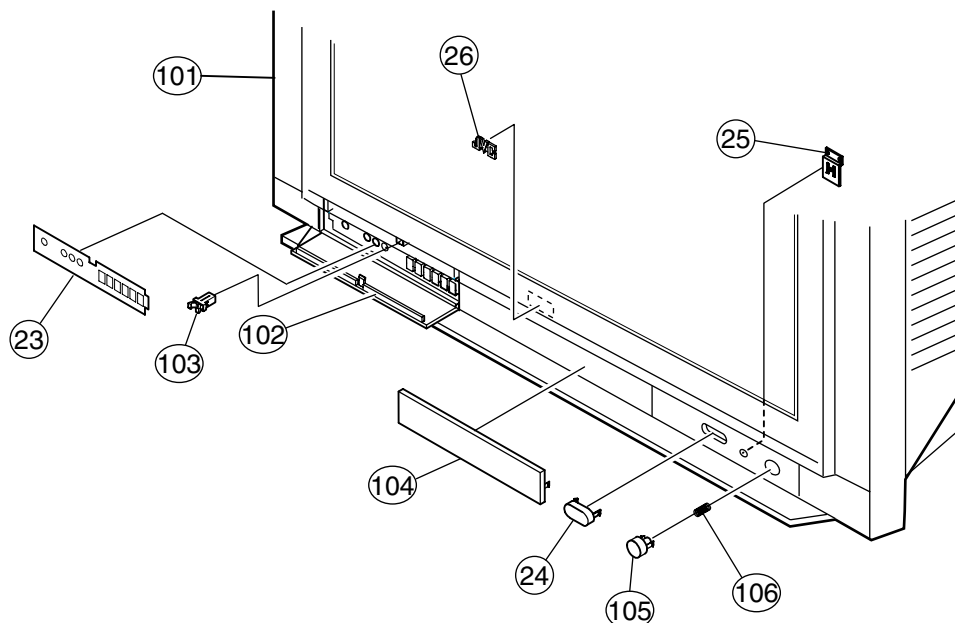
P.W.B ASS'Y \ Model	AV-34LS	AV-34LS-AU	AV-34LH
MAIN PWB	SCH-1007A-H2	SCH-1037A-H2	SCH-1036A-H2
CRT SOCKET PWB	SCH-3002A-H2	←	←
FRONT CONTROL PWB	SCH-8002A-H2	←	←
REMOTE CONTROL UNIT	RM-C352-1C	←	RM-C353-1C

P.W.B ASS'Y \ Model	AV-34LX	AV-34LX-A	AV-3408TEE
MAIN PWB	SCH-1008A-H2	←	SCH-1038A-H2
CRT SOCKET PWB	SCH-3002A-H2	←	←
FRONT CONTROL PWB	SCH-8002A-H2	←	←
REMOTE CONTROL UNIT	RM-C357-1C	←	RM-C355-1C

EXPLODED VIEW PARTS LIST-I

△ Ref.No.	Part No.	Part Name	Description	Local
23	LC20778-004A-H	OPERATION SHEET		
24	LC31474-001A-H	CONTROL WINDOW		
25	LC31476-001B-H	LED LENS		
26	LC41037-001A	JVC MARK		
101	LC11231-002B-H	FRONT CABI ASSY	Inc.No.102-106 [AV-34LS,AV-34LS-AU]	
101	LC11231-003A-H	FRONT CABI ASSY	Inc.No.102-106 [AV-34LH]	
101	LC11231-004B-H	FRONT CABI ASSY	Inc.No.102-106 [AV-34LX,AV-LX-A]	
101	LC11231-007A-H	FRONT CABI ASSY	Inc.No.102-106 [AV-3408TEE]	
102	LC20776-001B-H	DOOR	[AV-34LS,AV-34LS-AU]	
102	LC20776-002A-H	DOOR	[AV-34LH]	
102	LC20776-003A-H	DOOR	[AV-34LX,AV-34LX-A]	
102	LC20776-004A-H	DOOR	[AV-3408TEE]	
103	CM48229-00A-C	DOOR LATCH		
104	LC20777-001D-H	CENTRE PLATE		
105	LC31475-001B-H	POWER KNOB		
106	CM35235-003-H	SPRING		

EXPLODED VIEW-I



EXPLODED VIEW PARTS LIST-II

△ Ref.No.	Part No.	Part Name	Description	Local
△ V01	A80LTM350X	PICTURE TUBE		
△ L01	QQW0121-001	DEG COIL		
△ DY01	QQD0065-001	DEF YOKE		
△ T1551	QQH0096-001	FBT		
△ 1	QMP40D0-200J5	POWER CORD	[AV-34LS,AV-34LX,AV-3408TEE]	
△ 1	QMPN050-200-E2	POWER CORD	[AV-34LH]	
△ 1	QMP2980-185J5	POWER CORD	[AV-34LS-AU]	
△ 1	QMPR010-200-E2	POWER CORD	[AV-34LX-A]	
△ 2	CM23167-A01-H	CORD CLAMP		
3	WJY0018-002A	BRAIDED ASSY		
4	CHGB0017-0C	BRAIDED SUB ASSY	(X2)	
5	A48457-3-H	SPRING		
6	LC11100-001A-H	SP HOLDER	(X2)	
7	QAS0083-001	SPEAKER	(X2) SP01, SP02	
8	QYSBSFG4016Z	TAPPING SCREW	(X8)	
△ 9	LC10180-004A-HH	REAR COVER	[AV-34LS,AV-34LX,AV-34LX-A,AV-3408TEE]	
△ 9	LC10180-006A-H	REAR COVER	[AV-34LH,AV-34LS-AU]	
10	QYSBSFG4016Z	TAPPING SCREW	(X18)	
△ 11	LC20377-001B-H	RATING LABEL	[AV-34LS]	
△ 11	LC20377-012B-H	RATING LABEL	[AV-34LH]	
△ 11	LC20377-013B-H	RATING LABEL	[AV-34LS-AU]	
△ 11	LC20377-010B-H	RATING LABEL	[AV-34LX]	
△ 11	LC20413-002B-H	RATING LABEL	[AV-34LX-A]	
△ 11	LC20377-009B-H	RATING LABEL	[AV-3408TEE]	
12	CHFD125-18BD-N	FFC WIRE		
13	LC11064-002A-H	AV TERMINAL BOARD	[AV-34LS,AV-34LH,AV-34LX,AV-34LX-A,AV-3408TEE]	
13	LC11064-001B-H	AV TERMINAL BOARD	[AV-34LS-AU]	
14	QYSBSF3012M	TAPPING SCREW	(X4)	
15	LC11061-001A-H	CHASSIS BASE		
16	LC11062-001C-H	CONTROL BASE		
17	LC40226-003A-H	SPACER	(X4)	
18	LC40573-002A-H	WASHER	(X4)	
19	LC40317-002A-H	TAPPING SCREW	(X4)	
20	CE42735-00A	PC MAGNET		
21	CE41488-00A	WEDGE ASSY	(X4)	
22	LC30103-001B-H	CHASSIS ADAPTER	(X2)	

PRINTED WIRING BOARD PARTS LIST (AV-34LS)**MAIN PW BOARD ASS'Y (SCH-1007A-H2)**

△ Symbol No.	Part No.	Part Name	Description	Local	△ Symbol No.	Part No.	Part Name	Description	Local
RESISTOR					RESISTOR				
R1001-02	NRSA63J-221X	MG R	220Ω 1/16W	J	R1542	QRE121J-104Y	C R	100kΩ 1/2W	J
R1003	NRSA63J-392X	MG R	3.9kΩ 1/16W	J	R1543	QRE121J-471Y	C R	470Ω 1/2W	J
R1004	NRSA63J-221X	MG R	220Ω 1/16W	J	R1545	QRE121J-220Y	C R	22Ω 1/2W	J
R1006	NRSA63J-273X	MG R	27kΩ 1/16W	J	R1546	QRE121J-822Y	C R	8.2kΩ 1/2W	J
R1101	NRSA63J-100X	MG R	10Ω 1/16W	J	R1561	QRL02EJ-220X	CMF R	22Ω 2W	J
R1102	NRSA63J-682X	MG R	6.8kΩ 1/16W	J	R1562	QRE121J-123Y	C R	12kΩ 1/2W	J
R1103	NRSA63J-272X	MG R	2.7kΩ 1/16W	J	R1563	QRZ0056-103Z	COMP R	10kΩ 1/2W	K
R1104	NRSA63J-181X	MG R	180Ω 1/16W	J	R1564-68	QRE121J-184Y	C R	180kΩ 1/2W	J
R1105	NRSA63J-100X	MG R	10Ω 1/16W	J	R1571	NRSA63J-0R0X	MG R	0.0Ω 1/16W	J
R1106	NRSA63J-101X	MG R	100Ω 1/16W	J	R1578	NRSA63J-102X	MG R	1kΩ 1/16W	J
R1107	NRSA63J-472X	MG R	4.7kΩ 1/16W	J	R1580	NRSA63J-392X	MG R	3.9kΩ 1/16W	J
R1108-10	NRSA63J-222X	MG R	2.2kΩ 1/16W	J	R1581	NRSA63J-183X	MG R	18kΩ 1/16W	J
R1111	NRSA63J-102X	MG R	1kΩ 1/16W	J	R1582	NRSA63J-392X	MG R	3.9kΩ 1/16W	J
R1112	NRSA63J-103X	MG R	10kΩ 1/16W	J	R1583	NRSA63J-183X	MG R	18kΩ 1/16W	J
R1113	NRSA63J-271X	MG R	270Ω 1/16W	J	R1584	NRSA63J-152X	MG R	1.5kΩ 1/16W	J
R1114	NRSA63J-821X	MG R	820Ω 1/16W	J	R1591	QRA14CF-1202Y	MF R	12kΩ 1/4W	F
R1115	NRSA63J-181X	MG R	180Ω 1/16W	J	R1592	QRZ0221-2R2	UNF R	2.2Ω	
R1117	NRSA63J-102X	MG R	1kΩ 1/16W	J	R1593	NRSA02F-332X	MG R	3.3kΩ 1/10W	F
R1119	NRSA63J-102X	MG R	1kΩ 1/16W	J	R1594	QRE121J-183Y	C R	18kΩ 1/2W	J
R1120	NRSA63J-471X	MG R	470Ω 1/16W	J	R1595	NRSA63J-222X	MG R	2.2kΩ 1/16W	J
R1150	NRSA63J-331X	MG R	330Ω 1/16W	J	R1602	NRSA63J-271X	MG R	270Ω 1/16W	J
R1151	NRSA63J-222X	MG R	2.2kΩ 1/16W	J	R1603-04	NRSA63J-101X	MG R	100Ω 1/16W	J
R1152	NRSA63J-121X	MG R	120Ω 1/16W	J	R1634-35	QRE141J-222Y	C R	2.2kΩ 1/4W	J
R1153	NRSA63J-122X	MG R	1.2kΩ 1/16W	J	R1650	NRSA63J-223X	MG R	22kΩ 1/16W	J
R1154	NRSA63J-181X	MG R	180Ω 1/16W	J	R1651	NCF31AZ-105X	C CAP.	1μF 10V	Z
R1301-02	NRSA63J-222X	MG R	2.2kΩ 1/16W	J	R1654	NRSA63J-223X	MG R	22kΩ 1/16W	J
R1303	NRSA63J-562X	MG R	5.6kΩ 1/16W	J	R1655	NCF31AZ-105X	C CAP.	1μF 10V	Z
R1304-05	NRSA63J-222X	MG R	2.2kΩ 1/16W	J	R1658-59	QRE121J-2R2Y	C R	2.2Ω 1/2W	J
R1306	NRSA63J-562X	MG R	5.6kΩ 1/16W	J	R1660	NRSA63J-103X	MG R	10kΩ 1/16W	J
R1307	NRSA63J-103X	MG R	10kΩ 1/16W	J	R1661	NRSA63J-683X	MG R	68kΩ 1/16W	J
R1308	NRSA63J-101X	MG R	100Ω 1/16W	J	R1662	NRSA63J-333X	MG R	33kΩ 1/16W	J
R1309	NRSA63J-104X	MG R	100kΩ 1/16W	J	R1663	NRSA63J-103X	MG R	10kΩ 1/16W	J
R1310	NRSA63J-473X	MG R	47kΩ 1/16W	J	R1664	NRSA63J-222X	MG R	2.2kΩ 1/16W	J
R1311	NRSA63J-123X	MG R	12kΩ 1/16W	J	R1665-66	QRE141J-392Y	C R	3.9kΩ 1/4W	J
R1401	NRSA63J-224X	MG R	220kΩ 1/16W	J	R1667	NRSA63J-103X	MG R	10kΩ 1/16W	J
R1403	NRSA63J-0R0X	MG R	0.0Ω 1/16W	J	R1668	NRSA63J-683X	MG R	68kΩ 1/16W	J
R1405	NRSA63J-682X	MG R	6.8kΩ 1/16W	J	R1669	NRSA63J-563X	MG R	56kΩ 1/16W	J
R1406	NRSA63J-472X	MG R	4.7kΩ 1/16W	J	R1670	NRSA63J-153X	MG R	15kΩ 1/16W	J
R1408	NRSA63J-682X	MG R	6.8kΩ 1/16W	J	R1671	NRSA63J-272X	MG R	2.7kΩ 1/16W	J
R1410	NRSA63J-472X	MG R	4.7kΩ 1/16W	J	R1672	NRSA63J-563X	MG R	56kΩ 1/16W	J
R1411	QRG01GJ-221	OM R	220Ω 1W	J	R1673-74	NRSA63J-683X	MG R	68kΩ 1/16W	J
R1412	QRE121J-1R0Y	C R	1.0Ω 1/2W	J	R1675	NRSA63J-103X	MG R	10kΩ 1/16W	J
R1413	QRX01GJ-1R2	MF R	1.2Ω 1W	J	R1676-77	NRSA63J-472X	MG R	4.7kΩ 1/16W	J
R1414	QRE121J-1R8Y	C R	1.8Ω 1/2W	J	R1678	NRSA63J-153X	MG R	15kΩ 1/16W	J
R1425	NRSA63J-683X	MG R	68kΩ 1/16W	J	R1679	NRSA63J-272X	MG R	2.7kΩ 1/16W	J
R1478-79	NRSA63J-101X	MG R	100Ω 1/16W	J	R1680	NRSA63J-683X	MG R	68kΩ 1/16W	J
R1480	QRE121J-681Y	C R	680Ω 1/2W	J	R1688	NRSA63J-273X	MG R	27kΩ 1/16W	J
R1481	NRSA63J-223X	MG R	22kΩ 1/16W	J	R1690	NRSA63J-104X	MG R	100kΩ 1/16W	J
R1482	NRSA63J-562X	MG R	5.6kΩ 1/16W	J	R1691	NRSA63J-682X	MG R	6.8kΩ 1/16W	J
R1483	NRSA63J-823X	MG R	82kΩ 1/16W	J	R1692	NRSA63J-104X	MG R	100kΩ 1/16W	J
R1484	NRSA63J-562X	MG R	5.6kΩ 1/16W	J	R1693	NRSA63J-103X	MG R	10kΩ 1/16W	J
R1485	NRSA63J-123X	MG R	12kΩ 1/16W	J	R1696	NRSA63J-222X	MG R	2.2kΩ 1/16W	J
R1486	NRSA63J-272X	MG R	2.7kΩ 1/16W	J	R1701	NRSA63J-103X	MG R	10kΩ 1/16W	J
R1487	NRSA63J-333X	MG R	33kΩ 1/16W	J	R1702-03	NRSA63J-101X	MG R	100Ω 1/16W	J
R1489	NRSA63J-122X	MG R	1.2kΩ 1/16W	J	R1704-06	NRSA63J-102X	MG R	1kΩ 1/16W	J
R1490	NRSA63J-102X	MG R	1kΩ 1/16W	J	R1707-10	NRSA63J-472X	MG R	4.7kΩ 1/16W	J
R1491	NRSA63J-562X	MG R	5.6kΩ 1/16W	J	R1711-14	NRSA63J-101X	MG R	100Ω 1/16W	J
R1492	NRSA63J-822X	MG R	8.2kΩ 1/16W	J	R1715-17	NRSA63J-103X	MG R	10kΩ 1/16W	J
R1493	QRE121J-223Y	C R	22kΩ 1/2W	J	R1718-19	NRSA63J-221X	MG R	220Ω 1/16W	J
R1494	QRL03EJ-330X	OM R	33Ω 3W	J	R1720	NRSA63J-102X	MG R	1kΩ 1/16W	J
R1521	NRSA63J-101X	MG R	100Ω 1/16W	J	R1721-24	NRSA63J-221X	MG R	220Ω 1/16W	J
R1522	NRSA63J-102X	MG R	1kΩ 1/16W	J	R1725	NRSA63J-103X	MG R	10kΩ 1/16W	J
R1523	QRL03EJ-181X	OM R	180Ω 3W	J	R1726	NRSA63J-472X	MG R	4.7kΩ 1/16W	J
R1524	QRL03EJ-181X	OM R	180Ω 3W	J	R1727	NRSA63J-104X	MG R	100kΩ 1/16W	J
R1526	QRL029J-271	OM R	270Ω 2W	J	R1728	NRSA63J-103X	MG R	10kΩ 1/16W	J
R1527	QRL03EJ-103X	OM R	10kΩ 3W	J	R1730	NRSA63J-223X	MG R	22kΩ 1/16W	J
R1528	QRX029J-3R3	MF R	3.3Ω 2W	J	R1731	NRSA63J-101X	MG R	100Ω 1/16W	J
R1529	QRX029J-3R3	MF R	3.3Ω 2W	J	R1732	NRSA02F-393X	MF R	39kΩ 2W	F
R1531	NRSA63J-182X	MG R	1.8kΩ 1/16W	J	R1733	NRSA63J-273X	MG R	27kΩ 1/16W	J
△ R1532	QRZ9017-4R7	F R	4.7Ω 1/4W	J	R1734	NRSA63J-391X	MG R	390Ω 1/16W	J
R1540	QRZ9011-4R7	F R	4.7Ω 1/2W	J	R1735	NRSA63J-104X	MG R	100kΩ 1/16W	J
R1541	QRE121J-124Y	C R	120kΩ 1/2W	J	R1736	NRSA63J-333X	MG R	33kΩ 1/16W	J

△	Symbol No.	Part No.	Part Name	Description	Local	△	Symbol No.	Part No.	Part Name	Description	Local
RESISTOR						RESISTOR					
	R1737	NRSA63J-272X	MG R	2.7kΩ 1/16W	J		R1961	QRL02EJ-223X	OM R	22kΩ 2W	J
	R1738	NRSA63J-103X	MG R	10kΩ 1/16W	J		R1963	QRE121J-332Y	C R	3.3kΩ 1/2W	J
	R1739-41	NRSA63J-101X	MG R	100Ω 1/16W	J		R1964	NRSA63J-103X	MG R	10kΩ 1/16W	J
	R1742	NRSA63J-0R0X	MG R	0.0Ω 1/16W	J		R1965	NRSA63J-0R0X	MG R	0.0Ω 1/16W	J
	R1744	NRSA63J-561X	MG R	560Ω 1/16W	J		R1966	NRSA63J-682X	MG R	6.8kΩ 1/16W	J
	R1745	NRSA63J-105X	MG R	1MΩ 1/16W	J		R1967	NRSA63J-473X	MG R	47kΩ 1/16W	J
	R1746	NRSA63J-333X	MG R	33kΩ 1/16W	J		R1969	QRT02EJ-2R7X	MF R	2.7Ω 2W	J
	R1747	NRSA63J-103X	MG R	10kΩ 1/16W	J		R1970	NRSA63J-153X	MG R	15kΩ 1/16W	J
	R1748	QRE141J-394Y	C R	390kΩ 1/4W	J		R1971	NRSA63J-183X	MG R	18kΩ 1/16W	J
	R1749	QRE141J-334Y	C R	330kΩ 1/4W	J	△	R1991	QRZ0057-825	C R	8.2MΩ 1W	J
	R1755-56	NRSA63J-101X	MG R	100Ω 1/16W	J	CAPACITOR					
	R1757-58	NRSA63J-222X	MG R	2.2kΩ 1/16W	J		C1001	NCB31HK-103X	C CAP.	0.01μF 50V	K
	R1803	NRSA63J-333X	MG R	33kΩ 1/16W	J		C1002	QETN1HM-106Z	E CAP.	10μF 50V	M
	R1804-07	NRSA63J-750X	MG R	75Ω 1/16W	J		C1003	QFV71HJ-104Z	MF CAP.	0.1μF 50V	J
	R1808	NRSA63J-823X	MG R	82kΩ 1/16W	J		C1004	QETN1CM-477Z	E CAP.	470μF 16V	M
	R1809	NRSA63J-391X	MG R	390Ω 1/16W	J		C1005	NCB31HK-222X	C CAP.	2200pF 50V	K
	R1810	NRSA63J-823X	MG R	82kΩ 1/16W	J		C1006	QETN1CM-336Z	E CAP.	33μF 16V	M
	R1811	NRSA63J-391X	MG R	390Ω 1/16W	J		C1007	NCB31HK-103X	C CAP.	0.01μF 50V	K
	R1812	NRSA63J-104X	MG R	100kΩ 1/16W	J		C1101-05	NCB31HK-472X	C CAP.	4700pF 50V	K
	R1813	NRSA63J-222X	MG R	2.2kΩ 1/16W	J		C1106-07	NCB31HK-103X	C CAP.	0.01μF 50V	K
	R1815	NRSA63J-101X	MG R	100Ω 1/16W	J		C1108	NCB31HK-472X	C CAP.	4700pF 50V	K
	R1818	NRSA63J-222X	MG R	2.2kΩ 1/16W	J		C1109	QETN1HM-106Z	E CAP.	10μF 50V	M
	R1820	NRSA63J-101X	MG R	100Ω 1/16W	J		C1150-51	NCB31HK-472X	C CAP.	4700pF 50V	K
	R1821	NRSA63J-222X	MG R	2.2kΩ 1/16W	J		C1301-02	NCB31CK-104X	C CAP.	0.1μF 16V	K
	R1823	NRSA63J-101X	MG R	100Ω 1/16W	J		C1304-05	NCB31HK-103X	C CAP.	0.01μF 50V	K
	R1824	NRSA63J-222X	MG R	2.2kΩ 1/16W	J		C1306	NCB31CK-104X	C CAP.	0.1μF 16V	K
	R1826	NRSA63J-101X	MG R	100Ω 1/16W	J		C1307	NDC31HJ-330X	C CAP.	33pF 50V	J
	R1830-31	NRSA63J-222X	MG R	2.2kΩ 1/16W	J		C1308	NCB31HK-103X	C CAP.	0.01μF 50V	K
	R1832	QRE141J-391Y	C R	390Ω 1/4W	J		C1401	QETN1HM-105Z	E CAP.	1μF 50V	M
	R1833	NRSA63J-331X	MG R	330Ω 1/16W	J		C1402	QCB31HK-682Z	C CAP.	6800pF 50V	K
	R1834-35	NRSA63J-562X	MG R	5.6kΩ 1/16W	J		C1403	QEHR1VM-107Z	E CAP.	100μF 35V	M
	R1836	NRSA63J-750X	MG R	75Ω 1/16W	J		C1411-12	NCF21HZ-334X	C CAP.	0.33μF 50V	Z
	R1837	NRSA63J-101X	MG R	100Ω 1/16W	J		C1413	QFLC2AJ-563Z	M CAP.	0.056μF 100V	J
	R1838	QRK126J-121X	C R	120Ω 1/2W	J		C1422	QEHR1VM-108Z	E CAP.	1000μF 35V	M
	R1839-40	QRE121J-221Y	C R	220Ω 1/2W	J		C1471	QETN1HM-106Z	E CAP.	10μF 50V	M
	R1841-42	NRSA63J-0R0X	MG R	0.0Ω 1/16W	J		C1480	QETN1HM-106Z	E CAP.	10μF 50V	M
	R1843	NRSA63J-821X	MG R	820Ω 1/16W	J		C1483	QEZ0195-475Z	E CAP.	4.7μF 50V	M
	R1844	NRSA63J-222X	MG R	2.2kΩ 1/16W	J		C1485	QETN1HM-226Z	E CAP.	22μF 50V	M
	R1845	NRSA63J-102X	MG R	1kΩ 1/16W	J		C1521	QETN1VM-476Z	E CAP.	47μF 35V	M
	R1846	NRSA63J-222X	MG R	2.2kΩ 1/16W	J		C1522	QFLC1HJ-332Z	M CAP.	3300pF 50V	J
	R1847	NRSA63J-103X	MG R	10kΩ 1/16W	J		C1523	QFLC1HJ-223Z	M CAP.	0.022μF 50V	J
	R1848	NRSA63J-221X	MG R	220Ω 1/16W	J		C1524	QFZ0200-372	MPP CAP.	3700pF 1.5kVH ±3%	
	R1849	NRSA63J-471X	MG R	470Ω 1/16W	J		C1525	QFZ0200-123	MPP CAP.	0.012μF 1.5kVH ±3%	
	R1880	NRSA63J-202X	MG R	2kΩ 1/16W	J		C1526	QFP32JJ-223	PP CAP.	0.022μF 630V	J
	R1881	NRSA63J-103X	MG R	10kΩ 1/16W	J		C1527	QFZ0199-184	MPP CAP.	0.18μF 250V	J
	R1882	NRSA63J-181X	MG R	180Ω 1/16W	J		C1528	QFZ0199-204	MPP CAP.	0.2μF 250V	J
	R1883	NRSA63J-471X	MG R	470Ω 1/16W	J		C1529	QENC2AM-225Z	BP E CAP.	2.2μF 100V	M
	R1902	QRF154K-2R2	UNF R	2.2Ω	K		C1530	QCB32HK-561Z	C CAP.	560pF 500V	K
	R1903	QRL039J-473	OM R	47kΩ 3W	J		C1531	QEHR1EM-108Z	E CAP.	1000μF 25V	M
	R1904	QRE121J-681Y	C R	680Ω 1/2W	J		C1532	QCB32HK-561Z	C CAP.	560pF 500V	K
	R1905	QRM034J-R10	MP R	0.1Ω 3W	J		C1533	QEHR1EM-108Z	E CAP.	1000μF 25V	M
	R1908	NRSA63J-103X	MG R	10kΩ 1/16W	J		C1534	QCB32HK-561Z	C CAP.	560pF 500V	K
	R1909	QRE121J-274Y	C R	270kΩ 1/2W	J		C1536	QFLC1HJ-103Z	M CAP.	0.01μF 50V	J
	R1911	QRE121J-472Y	C R	4.7kΩ 1/2W	J		C1540	QFV71HJ-104Z	MF CAP.	0.1μF 50V	J
	R1912	QRE121J-222Y	C R	2.2kΩ 1/2W	J		C1541	QETN2EM-106Z	E CAP.	10μF 250V	M
△	R1913	QRZ9017-4R7	F R	4.7Ω 1/4W	J		C1542	QFZ0128-473	MPP CAP.	0.047μF 400V ±3%	
	R1914	QRL039J-473	OM R	47kΩ 3W	J		C1550	NCB31CK-104X	C CAP.	0.1μF 16V	K
	R1915	QRE121J-394Y	C R	390kΩ 1/2W	J		C1561	QFV11HJ-683Z	TF CAP.	0.068μF 50V	J
	R1916	QRE121J-332Y	C R	3.3kΩ 1/2W	J		C1563-64	QCZ0122-471	C CAP.	470pF 2000V	K
	R1917	NRSA63J-101X	MG R	100Ω 1/16W	J		C1565	QFZ0122-682	MPP CAP.	6800pF 1.8kVH ±3%	
	R1918	NRSA63J-224X	MG R	220kΩ 1/16W	J		C1566	QFZ0200-113	MPP CAP.	0.011μF 1.5kVH ±3%	
	R1919	NRSA63J-104X	MG R	100kΩ 1/16W	J		C1571	QETN1CM-476Z	E CAP.	47μF 16V	M
	R1920	NRSA63J-473X	MG R	47kΩ 1/16W	J		C1575	QETN1EM-476Z	E CAP.	47μF 25V	M
	R1921	QRE121J-563Y	C R	56kΩ 1/2W	J		C1591	QETN1AM-107Z	E CAP.	100μF 10V	M
	R1951	QRE121J-223Y	C R	22kΩ 1/2W	J		C1592	QETN2CM-227	E CAP.	220μF 160V	M
	R1952	NRSA63J-222X	MG R	2.2kΩ 1/16W	J		C1593	QETN1EM-476Z	E CAP.	47μF 25V	M
	R1953	QRE121J-152Y	C R	1.5kΩ 1/2W	J		C1602	NCB31HK-103X	C CAP.	0.01μF 50V	K
	R1955	QRG01GJ-470	OM R	47Ω 1W	J		C1603	QETN1CM-107Z	E CAP.	100μF 16V	M
	R1957	QRE121J-5R6Y	C R	5.6Ω 1/2W	J		C1604	NCB31CK-104X	C CAP.	0.1μF 16V	K
	R1958	QRL039J-820	OM R	82Ω 3W	J		C1606-07	NDC31HJ-2R0X	C CAP.	2.0pF 50V	J
	R1959	QRE121J-820Y	C R	82Ω 1/2W	J		C1608-09	NCB31HK-103X	C CAP.	0.01μF 50V	K
	R1960	NRSA63J-391X	MG R	390Ω 1/16W	J						

△ Symbol No.	Part No.	Part Name	Description	Local
CAPACITOR				
C1610	QETN1HM-106Z	E CAP.	10µF 50V M	
C1611	NCB31CK-104X	C CAP.	0.1µF 16V K	
C1612	QETN1HM-106Z	E CAP.	10µF 50V M	
C1613	NCB31CK-104X	C CAP.	0.1µF 16V K	
C1615	QETN1HM-106Z	E CAP.	10µF 50V M	
C1616	NCB31CK-104X	C CAP.	0.1µF 16V K	
C1617	QETN1HM-106Z	E CAP.	10µF 50V M	
C1619	NCB31CK-104X	C CAP.	0.1µF 16V K	
C1620	QETN1HM-106Z	E CAP.	10µF 50V M	
C1621-22	NCB31HK-102X	C CAP.	1000pF 50V K	
C1623-24	NCF31AZ-105X	C CAP.	1µF 10V Z	
C1650	QEHR1HM-106Z	E CAP.	10µF 50V M	
C1651	QEHQ1HM-107	E CAP.	100µF 50V M	
C1652	QETN1HM-106Z	E CAP.	10µF 50V M	
C1659-61	NCF21HZ-224X	C CAP.	0.22µF 50V Z	
C1662	QETN1HM-106Z	E CAP.	10µF 50V M	
C1663	NCF21HZ-224X	C CAP.	0.22µF 50V Z	
C1665	NCB31CK-104X	C CAP.	0.1µF 16V K	
C1666-67	NCB31HK-222X	C CAP.	2200pF 50V K	
C1668-69	NCB31CK-104X	C CAP.	0.1µF 16V K	
C1670	NCB31HK-223X	C CAP.	0.022µF 50V K	
C1671	QETN1CM-476Z	E CAP.	47µF 16V M	
C1672	NCB31HK-473X	C CAP.	0.047µF 50V K	
C1673	QETN1CM-336Z	E CAP.	33µF 16V M	
C1674	NCB31CK-104X	C CAP.	0.1µF 16V K	
C1675	NCB31HK-473X	C CAP.	0.047µF 50V K	
C1676	NCB31HK-223X	C CAP.	0.022µF 50V K	
C1681-82	QETN1CM-227Z	E CAP.	220µF 16V M	
C1683	QETN1CM-336Z	E CAP.	33µF 16V M	
C1702	QETN1HM-106Z	E CAP.	10µF 50V M	
C1703-04	NDC31HJ-220X	C CAP.	22pF 50V J	
C1706	NCB21EK-224X	C CAP.	0.22µF 25V K	
C1707	QETN1CM-107Z	E CAP.	100µF 16V M	
C1709	QETN0JM-477Z	E CAP.	470µF 6.3V M	
C1710	QFV21HJ-224Z	MF CAP.	0.22µF 50V J	
C1711	NCB31CK-104X	C CAP.	0.1µF 16V K	
C1712	QETN1CM-476Z	E CAP.	47µF 16V M	
C1713	QFV11HJ-104Z	TF CAP.	0.1µF 50V J	
C1720	QETN1HM-476Z	E CAP.	47µF 50V M	
C1725	NCB31HK-681X	C CAP.	680pF 50V K	
C1730-31	NCB21EK-224X	C CAP.	0.22µF 25V K	
C1732	QETN1CM-107Z	E CAP.	100µF 16V M	
C1733	NCB31CK-104X	C CAP.	0.1µF 16V K	
C1734-35	NCB31HK-222X	C CAP.	2200pF 50V K	
C1736-37	QETN1HM-105Z	E CAP.	1µF 50V M	
C1738	NCB31CK-104X	C CAP.	0.1µF 16V K	
C1739	NFV41CJ-104X	MPP CAP.	0.1µF 16V J	
C1740	QETN1HM-225Z	E CAP.	2.2µF 50V M	
C1741-42	NCB31CK-104X	C CAP.	0.1µF 16V K	
C1743	QETN1CM-107Z	E CAP.	100µF 16V M	
C1744	NCB31HK-222X	C CAP.	2200pF 50V K	
C1745-47	NCB31EK-473X	C CAP.	0.047µF 25V K	
C1749	QETN1HM-106Z	E CAP.	10µF 50V M	
C1751-53	NCB21HK-104X	C CAP.	0.1µF 50V K	
C1801-04	QETN1HM-106Z	E CAP.	10µF 50V M	
C1805	QFLC1HJ-104Z	M CAP.	0.1µF 50V J	
C1807-08	NCF31AZ-105X	C CAP.	1µF 10V Z	
C1810	NCF31AZ-105X	C CAP.	1µF 10V Z	
C1811	QFLC1HJ-104Z	M CAP.	0.1µF 50V J	
C1812	NCF31AZ-105X	C CAP.	1µF 10V Z	
C1813	NCB31HK-103X	C CAP.	0.01µF 50V K	
C1814	QFLC1HJ-104Z	M CAP.	0.1µF 50V J	
C1815	NCF31AZ-105X	C CAP.	1µF 10V Z	
C1817	NCF31AZ-105X	C CAP.	1µF 10V Z	
C1819	QFLC1HJ-104Z	M CAP.	0.1µF 50V J	
C1820-21	NCF31AZ-105X	C CAP.	1µF 10V Z	
C1822	QETN1AM-477Z	E CAP.	470µF 10V M	
C1823-24	QETN1CM-107Z	E CAP.	100µF 16V M	
C1825	NCB31HK-103X	C CAP.	0.01µF 50V K	
C1826	QFLC1HJ-104Z	M CAP.	0.1µF 50V J	
C1827	NCB31HK-103X	C CAP.	0.01µF 50V K	
C1829-31	NCB31HK-103X	C CAP.	0.01µF 50V K	

△ Symbol No.	Part No.	Part Name	Description	Local
CAPACITOR				
C1834	NDC31HJ-181X	C CAP.	180pF 50V J	
△ C1902	QFZ9073-104	MF CAP.	0.1µF	
C1903-05	QCZ9015-102Z	C CAP.	1000pF 250V Z	
C1907	QEZ0371-337	E CAP.	330µF 400V M	
C1909	QCZ0325-821	C CAP.	820pF 2000V K	
C1910	NDC31HJ-471X	C CAP.	470pF 50V J	
C1911	QETN1HM-476Z	E CAP.	47µF 50V M	
C1916	QETN1EM-476Z	E CAP.	47µF 25V M	
C1917	QCB32HK-181Z	C CAP.	180pF 500V K	
C1918	QCB32HK-103	C CAP.	0.01µF 500V K	
C1919	QCZ0325-391	C CAP.	390pF 2000V K	
C1952	QCB32HK-471Z	C CAP.	470pF 500V K	
C1953	QEHQ1VM-228	E CAP.	220µF 35V M	
C1955	QCB32HK-471Z	C CAP.	470pF 500V K	
C1956	QETN1VM-107Z	E CAP.	100µF 35V M	
C1957	QCB31HK-471Z	C CAP.	470pF 50V K	
C1958	QEHR1CM-108Z	E CAP.	1000µF 16V M	
C1959	QCZ0364-561	C CAP.	560pF	
C1960	QEZ0203-227	E CAP.	220µF 160V M	
C1962	QETN1HM-106Z	E CAP.	10µF 50V M	
C1963	QETN1CM-477Z	E CAP.	470µF 16V M	
C1964	QETN1CM-476Z	E CAP.	47µF 16V M	
C1965	QETN1VM-476Z	E CAP.	47µF 35V M	
C1966	QETN1CM-107Z	E CAP.	100µF 16V M	
C1968	NCB31CK-104X	C CAP.	0.1µF 16V K	
C1972	QETN1HM-476Z	E CAP.	47µF 50V M	
C1974	NCB31CK-104X	C CAP.	0.1µF 16V K	
C1975	QETN1CM-227Z	E CAP.	220µF 16V M	
C1977	QETN1EM-476Z	E CAP.	47µF 25V M	
C1978	NCB21HK-104X	C CAP.	0.1µF 50V K	
C1980	QETN1CM-107Z	E CAP.	100µF 16V M	
C1981	NCB31HK-102X	C CAP.	1000pF 50V K	
C1982	QETN1CM-476Z	E CAP.	47µF 16V M	
C1983	QETN1CM-107Z	E CAP.	100µF 16V M	
△ C1991	QCZ9079-102	C CAP.	1000pF 250V M	
△ C1992-93	QCZ9079-471	C CAP.	470pF 250V K	
TRANSFORMER				
T1521	QQR1229-001	DRIVE TRANSF.		
△ T1551	QQH0077-001	H.V.TRANSF.		
T1561	QQR1153-001	DEF.TRANSF.		
△ T1901	QQS0110-001	SWICH.TRANSF.		
COIL				
L1001-02	QQL244K-8R2Z	COIL	8.2µH	K
L1101-02	QQL244K-5R6Z	COIL	5.6µH	K
L1103	QQL244K-100Z	COIL	10µH	K
L1104	QQL244K-180Z	COIL	18µH	K
L1301	QQL244K-221Z	COIL	220µH	K
L1401	QQL26AK-220Z	COIL	22µH	K
L1480	QQR1138-001	CHOKE COIL		
L1522	QQLZ028-501	CHOKE COIL		
L1523	QQR1243-001	LINEARITY COIL		
L1541	QQL244K-220Z	COIL	22µH	K
L1561	QQLZ028-272	CHOKE COIL		
L1601	QQL244K-4R7Z	COIL	4.7µH	K
L1701-02	QQL244K-100Z	COIL	10µH	K
L1731	QRN143J-0R0X	C R	0.0Ω	1/4W J
L1951	QQLZ034-460	CHOKE COIL		
L1953	QQL244J-5R6Z	COIL	5.6µH	J
L1954	QQL26AK-820Z	COIL	82µH	K
DIODE				
D1101	DAN235K-X	SI.DIODE		
D1401	RGP10J-5025-T3	SI.DIODE		
D1402	MTZJ75-T2	ZENER DIODE		
D1405	1N4003-T2	SI.DIODE		
D1408	MA111-X	SI.DIODE		
D1480	MTZJ4.3A-T2	ZENER DIODE		
D1521	RH3G-F1	SI.DIODE		
D1522	31DF6N-FC5	DIODE		

△ Symbol No.	Part No.	Part Name	Description	Local	△ Symbol No.	Part No.	Part Name	Description	Local
CAPACITOR					TRANSISTOR				
D1523	RGP10J-5025-T3	SI.DIODE			Q1833	QETN1HM-226Z	E CAP	22μF 50V M	
D1541	RGP10J-5025-T3	SI.DIODE			Q1860	2SC2412K/QR/-X	SI.TRANSISTOR		
D1550	MA111-X	SI.DIODE			Q1861-62	2SA1037AK/QR/-X	SI.TRANSISTOR		
D1551	EU2-T3	SI.DIODE			Q1901	2SC3852A	SI.TRANSISTOR		
D1553	RGP10J-5025-T3	SI.DIODE			Q1902-03	2SA1037AK/QR/-X	SI.TRANSISTOR		
D1554	RGP10J-5025-T3	SI.DIODE			Q1951	2SA1013/RO/-T	SI.TRANSISTOR		
D1561-62	ES1F-LFG2	SI.DIODE			Q1952-54	2SC2412K/QR/-X	SI.TRANSISTOR		
D1592	MA3075/H/-X	ZENER DIODE			IC				
D1652-53	MA3330/L/-X	ZENER DIODE			IC1301	TDA9181T/N1-X	I.C(MONO-ANA)		
D1682	MA111-X	SI.DIODE			IC1401	LA78041	I.C(MONO-ANA)		
D1683	NRSA63J-OR0X	MG R	0.0Ω 1/16W J		IC1461	JLC1562BF-X	I.C(DIGI-MOS)		
D1702	MA3020-X	ZENER DIODE			IC1480	UPC358G2-XE	I.C(MONO-ANA)		
D1730-33	MA111-X	SI.DIODE			IC1601	MSP3415D-QG-B3X	I.C(MONO-ANA)		
D1801-02	MA3120/M/-X	ZENER DIODE			IC1650	AN5277	I.C(MONO-ANA)		
D1901	GSIB460	DIODE			IC1665	BA4558F-X	I.C(MONO-ANA)		
D1902	QQR1214-001Y	FERRITE BEADS			IC1701	TDA9365N13S0455	I.C(μ-COMP)		
D1903	CE41433-001Z	BEADS CORE			IC1702	AT24C08-34LS	I.C(MEMORY-OTH)	(SERVICE)	
D1906	MTZJ27B-T2	ZENER DIODE			IC1801	MM1492AF	I.C(MONO-ANA)		
D1907	MTZJ33B-T2	ZENER DIODE			IC1901	STR-F6456S/F7	I.C(HYBRID)		
D1908	MA3200/M/-X	ZENER DIODE			IC1951	SE135N	I.C(HYBRID)		
D1909	MA111-X	SI.DIODE			IC1972	L88M33T-X	I.C(MONO-ANA)		
D1910	MA3075/H/-X	ZENER DIODE			IC1973	BA17812T	I.C(MONO-ANA)		
D1911	RGP10J-5025-T3	SI.DIODE			IC1974	BA51W12ST-V5	I.C(MONO-ANA)		
D1912	RGP10J-5025-T3	SI.DIODE			OTHERS				
D1913	RGP10M-5010-T3	SI.DIODE			CF1103	TPSH6.0MB	CERAMIC FILTER		
D1914	1SS133-T2	SI.DIODE			CF1104	TPS5.5MW	CERAMIC FILTER		
D1915	MA3068/M/-X	ZENER DIODE			CF1105	TPS6.5MB	CERAMIC FILTER		
D1916	MTZJ15B-T2	ZENER DIODE			CF1106	QAX0639-001Z	CERAMIC FILTER		
D1950	RGP10J-5025-T3	SI.DIODE			△ CP1650	ICP-N50-Y	I.C.PROTECT		
D1952	ERC30-02L38	SI.DIODE			△ CP1951	ICP-N75-Y	I.C.PROTECT		
D1953	RGP10J-5025-T3	SI.DIODE			△ CP1953	ICP-N38-Y	I.C.PROTECT		
D1954	RU30A-F1	SI.DIODE			J1801	QNN0349-001	PIN JACK		
D1955	1SR35-400A-T2	SI.DIODE			J1802	QNN0349-002	PIN JACK		
D1956	31DF6N-FC5	DIODE			J1803	QNN0348-001	PIN JACK		
D1958	MTZJ5.1A-T2	ZENER DIODE			J1804	QNN0349-001	PIN JACK		
D1960	MA111-X	SI.DIODE			K1301	CE41433-001Z	BEADS CORE		
D1964	MA3330/L/-X	ZENER DIODE			K1902	QQR1214-001Y	FERRITE BEADS		
D1966	MA3039/H/-X	ZENER DIODE			K1903	CE41433-001Z	BEADS CORE		
D1968-69	MA111-X	SI.DIODE			K1904	CE42050-001Z	CORE		
D1970	MTZJ9.1B-T2	ZENER DIODE			K1951	QQR1214-001Y	FERRITE BEADS		
D1971	MA111-X	SI.DIODE			K1953-55	QQR1214-001Y	FERRITE BEADS		
TRANSISTOR					LC1601	CE42482-103Y	EMI FILTER		
Q1101	2SC5083/L-P/-T	SI.TRANSISTOR			△ LF1901	QQR1035-002	LINE FILTER		
Q1102-03	DTC124EKA-X	DIGI.TRANSISTOR			△ PC1901	PC123F2	I.C(PH.COUPLER)		
Q1104	2SA1037AK/QR/-X	SI.TRANSISTOR			△ RY1901	QSK0061-001	RELAY		
Q1105-06	DTC124EKA-X	DIGI.TRANSISTOR			SF1101	QAX0663-001	SAW FILTER		
Q1107	2SA1037AK/QR/-X	SI.TRANSISTOR			SF1102	QAX0594-001	SAW FILTER		
Q1108	2SC2412K/QR/-X	SI.TRANSISTOR			TH1901	QAD0134-4R5	P.THERMISTOR		
Q1109	2SA1037AK/QR/-X	SI.TRANSISTOR			TU1001	QAU0185-004	TUNER		
Q1110	DTC124EKA-X	DIGI.TRANSISTOR			W1010	NRSA63J-OR0X	MG R	0.0Ω 1/16W J	
Q1111	2SC2412K/QR/-X	SI.TRANSISTOR			W1071	NRSA63J-OR0X	MG R	0.0Ω 1/16W J	
Q1150	2SC2412K/QR/-X	SI.TRANSISTOR			W1239	NRSA63J-OR0X	MG R	0.0Ω 1/16W J	
Q1301-02	2SA1037AK/QR/-X	SI.TRANSISTOR			W1257	NRSA63J-OR0X	MG R	0.0Ω 1/16W J	
Q1303	DTC124EKA-X	DIGI.TRANSISTOR			W1260	NRSA63J-OR0X	MG R	0.0Ω 1/16W J	
Q1304	2SC2412K/QR/-X	SI.TRANSISTOR			W1306-07	NRSA63J-OR0X	MG R	0.0Ω 1/16W J	
Q1304	2SC2412K/QR/-X	SI.TRANSISTOR			W1309	NRSA63J-OR0X	MG R	0.0Ω 1/16W J	
Q1480	2SD1408/OY/-LB	SI.TRANSISTOR			W1321-22	NRSA63J-OR0X	MG R	0.0Ω 1/16W J	
Q1521	2SC2655/Y/-T	SI.TRANSISTOR			W1325-26	NRSA63J-OR0X	MG R	0.0Ω 1/16W J	
Q1522	2SD2634-YD	SI.TRANSISTOR			W1330	NRSA63J-OR0X	MG R	0.0Ω 1/16W J	
Q1574	2SC2412K/QR/-X	SI.TRANSISTOR			W1333	NRSA63J-OR0X	MG R	0.0Ω 1/16W J	
Q1575	2SC4686A	SI.TRANSISTOR			W1339-40	NRSA63J-OR0X	MG R	0.0Ω 1/16W J	
Q1591	2SA1208/ST/Z1-T	SI.TRANSISTOR			W1347	NRSA63J-OR0X	MG R	0.0Ω 1/16W J	
Q1592	DTC124EKA-X	DIGI.TRANSISTOR			W1355	NRSA63J-OR0X	MG R	0.0Ω 1/16W J	
Q1660-61	2SC2412K/QR/-X	SI.TRANSISTOR			W1379	NRSA63J-OR0X	MG R	0.0Ω 1/16W J	
Q1683-84	2SA1037AK/QR/-X	SI.TRANSISTOR			W1386	NRSA63J-OR0X	MG R	0.0Ω 1/16W J	
Q1685-86	DTC323TK-X	DIGI.TRANSISTOR			W1395	NRSA63J-OR0X	MG R	0.0Ω 1/16W J	
Q1687	2SC2412K/QR/-X	SI.TRANSISTOR			W1397	NRSA63J-OR0X	MG R	0.0Ω 1/16W J	
Q1701-02	2SA1037AK/QR/-X	SI.TRANSISTOR			W1402-03	NRSA63J-OR0X	MG R	0.0Ω 1/16W J	
Q1703	2SC2412K/QR/-X	SI.TRANSISTOR			W1408	NRSA63J-OR0X	MG R	0.0Ω 1/16W J	
Q1720	2SA1037AK/QR/-X	SI.TRANSISTOR			W1418	NRSA63J-OR0X	MG R	0.0Ω 1/16W J	
Q1801-02	DTC323TK-X	DIGI.TRANSISTOR							
Q1804	2SC1740S/QR/-T	SI.TRANSISTOR							

△ Symbol No.	Part No.	Part Name	Description	Local
OTHERS				
W1423	NRSA63J-0R0X	MG R	0.0Ω 1/16W	J
W1426-27	QRE141J-0R0Y	C R	0.0Ω 1/4W	J
X1601	CE42546-001Z	CRYSTAL		
X1701	QAX0688-001	CRYSTAL		
Y1004	NRSA63J-0R0X	MG R	0.0Ω 1/16W	J
Y1602	NRSA63J-0R0X	MG R	0.0Ω 1/16W	J

CRT SOCKET PW BOARD ASS'Y (SCH-3002A-H2)

△ Symbol No.	Part No.	Part Name	Description	Local
RESISTOR				
R3101	NRSA63J-682X	MG R	6.8kΩ 1/16W	J
R3102	NRSA63J-102X	MG R	1kΩ 1/16W	J
R3103	NRSA63J-153X	MG R	15kΩ 1/16W	J
R3104	NRSA63J-682X	MG R	6.8kΩ 1/16W	J
R3105	NRSA63J-102X	MG R	1kΩ 1/16W	J
R3106	NRSA63J-272X	MG R	2.7kΩ 1/16W	J
R3107	NRSA63J-682X	MG R	6.8kΩ 1/16W	J
R3108	NRSA63J-102X	MG R	1kΩ 1/16W	J
R3109	NRSA63J-562X	MG R	5.6kΩ 1/16W	J
R3125	NRSA63J-222X	MG R	2.2kΩ 1/16W	J
R3126	QRE121J-393Y	C R	39kΩ 1/2W	J
R3128	QRE141J-473Y	C R	47kΩ 1/4W	J
R3129	QRE141J-223Y	C R	22kΩ 1/4W	J
R3142	NRSA63J-101X	MG R	100Ω 1/16W	J
R3150	QRZ0107-152Z	C R	1.5kΩ 1/2W	K
R3152	NRSA63J-101X	MG R	100Ω 1/16W	J
R3160	NRSA63J-101X	MG R	100Ω 1/16W	J
R3166	QRZ0107-152Z	C R	1.5kΩ 1/2W	K
R3169	QVP0038-206	V R	20MΩ	
R3170	QRZ0107-474Z	C R	470kΩ 1/2W	K
R3171	QRZ0107-152Z	C R	1.5kΩ 1/2W	K
R3172	NRSA63J-101X	MG R	100Ω 1/16W	J
△ R3175	QRZ9021-1R0	F R	1Ω 1W	J
R3176	QRE121J-123Y	C R	12kΩ 1/2W	J
R3211	NRSA63J-0R0X	MG R	0.0Ω 1/16W	J
R3212	NRSA63J-153X	MG R	15kΩ 1/16W	J
R3213	NRSA63J-222X	MG R	2.2kΩ 1/16W	J
R3214	NRSA63J-152X	MG R	1.5kΩ 1/16W	J
R3215	NRSA63J-680X	MG R	68Ω 1/16W	J
R3216	NRSA63J-221X	MG R	220Ω 1/16W	J
△ R3217	QRJ146J-100X	C R	10Ω 1/4W	J
R3221-22	NRSA63J-470X	MG R	47Ω 1/16W	J
R3224	NRSA63J-122X	MG R	1.2kΩ 1/16W	J
R3225-26	QRE121J-563Y	C R	56kΩ 1/2W	J
R3227	NRSA63J-122X	MG R	1.2kΩ 1/16W	J
R3228	NRSA63J-390X	MG R	39Ω 1/16W	J
R3229-30	QRE121J-2R7Y	C R	2.7Ω 1/2W	J
R3231	NRSA63J-390X	MG R	39Ω 1/16W	J
R3232	QRE121J-121Y	C R	120Ω 1/2W	J
R3233	QRL029J-391	OM R	390Ω 2W	J
R3251	NRSA63J-822X	MG R	8.2kΩ 1/16W	J
R3252	NRSA63J-222X	MG R	2.2kΩ 1/16W	J
R3253	NRSA63J-101X	MG R	100Ω 1/16W	J
R3254	NRSA63J-563X	MG R	56kΩ 1/16W	J
R3255	NRSA63J-223X	MG R	22kΩ 1/16W	J
R3256	NRSA63J-681X	MG R	680Ω 1/16W	J
R3257	NRSA63J-102X	MG R	1kΩ 1/16W	J
R3258	NRSA63J-182X	MG R	1.8kΩ 1/16W	J
R3259	NRSA63J-102X	MG R	1kΩ 1/16W	J
R3260	NRSA63J-271X	MG R	270Ω 1/16W	J
R3261-63	NRSA63J-101X	MG R	100Ω 1/16W	J
R3264	NRSA63J-222X	MG R	2.2kΩ 1/16W	J
R3265	NRSA63J-102X	MG R	1kΩ 1/16W	J

△ Symbol No.	Part No.	Part Name	Description	Local
RESISTOR				
R3266	NRSA63J-103X	MG R	10kΩ 1/16W	J
R3267	NRSA63J-102X	MG R	1kΩ 1/16W	J
R3268	NRSA63J-222X	MG R	2.2kΩ 1/16W	J
R3269	NRSA63J-102X	MG R	1kΩ 1/16W	J
R3270	NRSA63J-103X	MG R	10kΩ 1/16W	J
R3271	NRSA63J-102X	MG R	1kΩ 1/16W	J
R3272	NRSA63J-222X	MG R	2.2kΩ 1/16W	J
R3273	NRSA63J-102X	MG R	1kΩ 1/16W	J
R3274	NRSA63J-103X	MG R	10kΩ 1/16W	J
R3275	NRSA63J-102X	MG R	1kΩ 1/16W	J

CAPACITOR

C3101	QETN1CM-477Z	E CAP.	470μF 16V	M
C3102	QETN2EM-475Z	E CAP.	4.7μF 250V	M
C3107	QETM2EM-336	E CAP.	33μF 250V	M
C3109	QCZ0131-472	C CAP.	4700pF 2000V	K
C3110	QCZ0131-222	C CAP.	2200pF 2000V	K
C3121	QETN1HM-225Z	E CAP.	2.2μF 50V	M
C3123	QFK62EK-104Z	MM CAP.	0.1μF 250V	K
C3204	NDC31HJ-561X	C CAP.	560pF 50V	J
C3205	QETN1HM-335Z	E CAP.	3.3μF 50V	M
C3206	QETN1HM-106Z	E CAP.	10μF 50V	M
C3209	QETN1CM-107Z	E CAP.	100μF 16V	M
C3212	QCB32HK-472Z	C CAP.	4700pF 500V	K
C3213	NDC31HJ-561X	C CAP.	560pF 50V	J
C3214	QETN2CM-106Z	E CAP.	10μF 160V	M
C3215	QCB32HK-472Z	C CAP.	4700pF 500V	K
C3216	QETN2CM-106Z	E CAP.	10μF 160V	M
C3217-18	QETN1AM-107Z	E CAP.	100μF 10V	M
C3219	QETN1AM-337Z	E CAP.	330μF 10V	M
C3251	QENC1HM-105Z	BP E CAP.	1μF 50V	M
C3252	NDC31HJ-151X	C CAP.	150pF 50V	J
C3253	NDC31HJ-560X	C CAP.	56pF 50V	J
C3255	NCB31HK-103X	C CAP.	0.01μF 50V	K
C3264-66	QETN1AM-107Z	E CAP.	100μF 10V	M

COIL

L3121	QQL244J-5R6Z	COIL	5.6μH	J
L3251	QQL244K-150Z	COIL	15μH	K

DIODE

D3108	MA3075/H/-X	ZENER DIODE		
D3109	MA3051/H/-X	ZENER DIODE		
D3110	MA111-X	SI.DIODE		
D3111	MA3051/H/-X	ZENER DIODE		
D3112	MA111-X	SI.DIODE		
D3113	MA3051/H/-X	ZENER DIODE		
D3114	MA111-X	SI.DIODE		
D3115	RGP10J-5025-T3	SI.DIODE		
D3116	RGP10J-5025-T3	SI.DIODE		
D3117	RGP10J-5025-T3	SI.DIODE		
D3121-23	1N4003-T2	SI.DIODE		
D3124	MA111-X	SI.DIODE		
D3125	MTZJ75-T2	ZENER DIODE		
D3201-02	NRSA63J-0R0X	MG R	0.0Ω 1/16W	J
D3203	RGP10J-5025-T3	SI.DIODE		
D3204	RGP10J-5025-T3	SI.DIODE		

TRANSISTOR

Q3101-03	2SC2412K/QR/-X	SI.TRANSISTOR		
Q3121	2SC4212/Z1/	SI.TRANSISTOR		
Q3122	2SA1037AK/QR/-X	SI.TRANSISTOR		
Q3204-05	2SC1740S/QR/-T	SI.TRANSISTOR		
Q3206	2SA933AS/QR/-T	SI.TRANSISTOR		
Q3209	2SA1964/DE/	SI.TRANSISTOR		
Q3210	2SC5248/DE/	SI.TRANSISTOR		
Q3251	2SA1037AK/QR/-X	SI.TRANSISTOR		
Q3252	2SC2412K/QR/-X	SI.TRANSISTOR		
Q3253	2SA1037AK/QR/-X	SI.TRANSISTOR		
Q3261-63	2SA1037AK/QR/-X	SI.TRANSISTOR		

△ Symbol No.	Part No.	Part Name	Description	Local
TRANSISTOR				
Q3264-66	2SC2412K/QR/-X	SI.TRANSISTOR		
IC				
IC3101	TDA6107Q/N2	I.C(MONO-ANA)		
OTHERS				
DL3261-63	CE41925-001	DELAY LINE		
△ FR3201	QRZ9021-561	F R	560Ω	1W J
K3201-04	CE41492-001Z	CHOKE COIL		
SG3101-03	QAF0006-501	ARRESTER		
SG3104	QAF0041-272	ARRESTER		
△ SK3001	CE42446-001	C.R.T.SOCKET		

FRONT CONTROL PW BOARD ASS'Y (SCH-8002A-H2)

△ Symbol No.	Part No.	Part Name	Description	Local
RESISTOR				
R8482	NRSA63J-124X	MG R	120kΩ	1/16W J
R8483	NRSA63J-683X	MG R	68kΩ	1/16W J
R8484-85	NRSA63J-562X	MG R	5.6kΩ	1/16W J
R8486	NRSA63J-333X	MG R	33kΩ	1/16W J
R8487	NRSA63J-332X	MG R	3.3kΩ	1/16W J
R8488	NRSA63J-154X	MG R	150kΩ	1/16W J
R8489	NRSA63J-104X	MG R	100kΩ	1/16W J
R8491-92	NRSA63J-0R0X	MG R	0.0Ω	1/16W J
R8495	NRSA63J-152X	MG R	1.5kΩ	1/16W J
R8497	NRSA63J-562X	MG R	5.6kΩ	1/16W J
R8498	QRE141J-0R0Y	C R	0.0Ω	1/4W J
R8499	QRE121J-561Y	C R	560Ω	1/2W J
R8801	NRSA63J-332X	MG R	3.3kΩ	1/16W J
R8802	NRSA63J-392X	MG R	3.9kΩ	1/16W J
R8803	NRSA63J-682X	MG R	6.8kΩ	1/16W J
R8805	NRSA63J-682X	MG R	6.8kΩ	1/16W J
R8807	NRSA63J-181X	MG R	180Ω	1/16W J
R8808	NRSA63J-221X	MG R	220Ω	1/16W J
R8809	NRSA63J-331X	MG R	330Ω	1/16W J
R8810	NRSA63J-471X	MG R	470Ω	1/16W J
R8811	NRSA63J-821X	MG R	820Ω	1/16W J
R8812	NRSA63J-122X	MG R	1.2kΩ	1/16W J
R8813	NRSA63J-471X	MG R	470Ω	1/16W J
R8814	NRSA63J-750X	MG R	75Ω	1/16W J
R8815-16	QRE121J-271Y	C R	270Ω	1/2W J
R8817-18	NRSA63J-102X	MG R	1kΩ	1/16W J
R8819	NRSA63J-272X	MG R	2.7kΩ	1/16W J
R8826	NRSA63J-0R0X	MG R	0.0Ω	1/16W J
R8830-31	NRSA63J-222X	MG R	2.2kΩ	1/16W J
△ R8901	QRZ0111-474	C R	470kΩ	1/2W K

CAPACITOR				
C8481-84	NCB21EK-224X	C CAP.	0.22μF	25V K
C8485	QETN1EM-476Z	E CAP.	47μF	25V M
C8487	QFLC1HU-103Z	M CAP.	0.01μF	50V J
C8660-61	QETM1VM-108	E CAP.	1000μF	35V M
C8801	QETN1HM-106Z	E CAP.	10μF	50V M
C8802	QETN1CM-107Z	E CAP.	100μF	16V M
C8803	NCB31CK-104X	C CAP.	0.1μF	16V K
C8815	QETN1CM-107Z	E CAP.	100μF	16V M

△ C8901	QFZ9073-224	MF CAP.	0.22μF	
---------	-------------	---------	--------	--

COIL				
L8401	QQL244K-820Z	COIL	82μH	K

△ Symbol No.	Part No.	Part Name	Description	Local
DIODE				
D8601-02	MTZJ75-T2	ZENER DIODE		
D8801	MA111-X	SI,DIODE		
D8802	P1241-04	C.D.S.		
D8803	SLR-342VR-T16	L.E.D.		

TRANSISTOR				
Q8481	2SC2412K/QR/-X	SI.TRANSISTOR		
Q8801	2SA1037AK/QR/-X	SI.TRANSISTOR		

IC				
IC8481	LA6515	I.C(MONO-ANA)		
IC8801	GP1U281Q	IFR DETECT UNIT		

OTHERS				
	CM35921-005-H	CDS HOLDER		
	CM36626-B01-H	L.E.D.HOLDER		
△ F8901	QMF51E2-4R0J4	FUSE		
FC8901	CEMG002-001Z	FUSE CLIP		
J8302	QNN0279-003	PIN JACK		
J8303	QNN0279-002	PIN JACK		
J8304	QNN0279-001	PIN JACK		
J8801	QNS0155-001	JACK		

△ LF8901	QQR1035-002	LINE FILTER		
S8801	QSW0619-003Z	PUSH SWITCH		CH-
S8802	QSW0619-003Z	PUSH SWITCH		CH+
S8803	QSW0619-003Z	PUSH SWITCH		MENU
S8804	QSW0619-003Z	PUSH SWITCH		TV/VIDEO
S8805	QSW0619-003Z	PUSH SWITCH		VOL-
S8806	QSW0619-003Z	PUSH SWITCH		VOL+
△ S8901	QSW0750-001	PUSH SWITCH		POWER
△ VA8901	QAF0052-621	VARISTOR		
Y8401	NRSA63J-0R0X	MG R	0.0Ω	1/16W J

AV-34LS

DIFFERENCE PARTS LIST BETWEEN AV-34LS, AV-34LS-AU AND AV-34LH

In the DIFFERENCE PARTS LIST BETWEEN AV-34LS, AV-34LS-AU and AV-34LH, only difference points between these models are written. For other parts not mentioned in the list, please refer to the PARTS LIST(P42 – P47) for the AV-34LS.

DIFFERENCE PARTS LIST

△	Symbol No.	Part No.			Part Name
		AV-34LS	AV-34LS-AU	AV-34LH	
		SCH-1007A-H2	SCH-1037A-H2	SCH-1036A-H2	MAIN PWB
	IC1701	TDA9365N13S0455	←	TDA9386N12S0450	IC
	R1801	—	NRSA63J-750X (75Ω, 1/16W, J)	—	MG R
	R1802	—	NRSA63J-750X (75Ω, 1/16W, J)	—	MG R
	R1817	—	NRSA63J-101X (100Ω, 1/16W, J)	—	MG R
	R1819	—	NRSA63J-101X (100Ω, 1/16W, J)	—	MG R
	C1806	—	QFLC1HJ-104Z (0.1μF, 50V, J)	—	M CAP.
	C1809	—	NCB31HK-103X (0.01μF, 50V, K)	—	C CAP.
	J1801	QNN0349-001	QNZ0454-001	QNN0349-001	PIN JACK

PRINTED WIRING BOARD PARTS LIST (AV-34LX)

MAIN PW BOARD ASS'Y(SCH-1008A-H2)

△	Symbol No.	Part No.	Part Name	Description	Local	△	Symbol No.	Part No.	Part Name	Description	Local
RESISTOR						RESISTOR					
	R1001-02	NRSA63J-221X	MG R	220Ω 1/16W J			R1492	NRSA63J-822X	MG R	8.2kΩ 1/16W J	
	R1003	NRSA63J-392X	MG R	3.9kΩ 1/16W J			R1493	QRE121J-223Y	C R	22kΩ 1/2W J	
	R1004	NRSA63J-221X	MG R	220Ω 1/16W J			R1494	QRL03EJ-330X	OM R	33Ω 3W J	
	R1006	NRSA63J-273X	MG R	27kΩ 1/16W J			R1521	NRSA63J-101X	MG R	100Ω 1/16W J	
	R1101	NRSA63J-100X	MG R	10Ω 1/16W J			R1522	NRSA63J-102X	MG R	1kΩ 1/16W J	
	R1102	NRSA63J-682X	MG R	6.8kΩ 1/16W J			R1523	QRL03EJ-181X	OM R	180Ω 3W J	
	R1103	NRSA63J-272X	MG R	2.7kΩ 1/16W J			R1524	QRL03EJ-181X	OM R	180Ω 3W J	
	R1104	NRSA63J-181X	MG R	180Ω 1/16W J			R1526	QRL029J-271	OM R	270Ω 2W J	
	R1105	NRSA63J-100X	MG R	10Ω 1/16W J			R1527	QRL03EJ-103X	OM R	10kΩ 3W J	
	R1106	NRSA63J-101X	MG R	100Ω 1/16W J			R1528-29	QRX029J-3R3	MF R	3.3Ω 2W J	
	R1107	NRSA63J-472X	MG R	4.7kΩ 1/16W J			R1531	NRSA63J-182X	MG R	1.8kΩ 1/16W J	
	R1108-09	NRSA63J-222X	MG R	2.2kΩ 1/16W J		△	R1532	QRZ9017-4R7	F R	4.7Ω 1/4W J	
	R1111	NRSA63J-102X	MG R	1kΩ 1/16W J			R1540	QRZ9011-4R7	F R	4.7Ω 1/2W J	
	R1112	NRSA63J-103X	MG R	10kΩ 1/16W J			R1541	QRE121J-124Y	C R	120kΩ 1/2W J	
	R1113	NRSA63J-271X	MG R	270Ω 1/16W J			R1542	QRE121J-104Y	C R	100kΩ 1/2W J	
	R1114	NRSA63J-821X	MG R	820Ω 1/16W J			R1543	QRE121J-471Y	C R	470Ω 1/2W J	
	R1115	NRSA63J-181X	MG R	180Ω 1/16W J			R1545	QRE121J-220Y	C R	22Ω 1/2W J	
	R1117	NRSA63J-102X	MG R	1kΩ 1/16W J			R1546	QRE121J-822Y	C R	8.2kΩ 1/2W J	
	R1119	NRSA63J-102X	MG R	1kΩ 1/16W J			R1561	QRL02EJ-220X	OM R	22Ω 2W J	
	R1120	NRSA63J-471X	MG R	470Ω 1/16W J			R1562	QRE121J-123Y	C R	12kΩ 1/2W J	
	R1130	NRSA63J-472X	MG R	4.7kΩ 1/16W J			R1563	QRZ0056-103Z	COMPR	10kΩ 1/2W K	
	R1131	NRSA63J-471X	MG R	470Ω 1/16W J			R1564-68	QRE121J-184Y	C R	180kΩ 1/2W J	
	R1132	NRSA63J-222X	MG R	2.2kΩ 1/16W J			R1571	NRSA63J-0R0X	MG R	0.0Ω 1/16W J	
	R1133	NRSA63J-152X	MG R	1.5kΩ 1/16W J			R1578	NRSA63J-102X	MG R	1kΩ 1/16W J	
	R1134	NRSA63J-182X	MG R	1.8kΩ 1/16W J			R1580	NRSA63J-392X	MG R	3.9kΩ 1/16W J	
	R1135	NRSA63J-561X	MG R	560Ω 1/16W J			R1581	NRSA63J-183X	MG R	18kΩ 1/16W J	
	R1136	NRSA63J-472X	MG R	4.7kΩ 1/16W J			R1582	NRSA63J-392X	MG R	3.9kΩ 1/16W J	
	R1137	NRSA63J-103X	MG R	10kΩ 1/16W J			R1583	NRSA63J-183X	MG R	18kΩ 1/16W J	
	R1138	NRSA63J-561X	MG R	560Ω 1/16W J			R1584	NRSA63J-152X	MG R	1.5kΩ 1/16W J	
	R1139	NRSA63J-222X	MG R	2.2kΩ 1/16W J			R1591	QRA14CF-1202Y	MF R	12kΩ 1/4W F	
	R1140	NRSA63J-152X	MG R	1.5kΩ 1/16W J			R1592	QRZ0221-2R2	UNF R	2.2Ω	
	R1141	NRSA63J-182X	MG R	1.8kΩ 1/16W J			R1593	NRSA02F-332X	MG R	3.3kΩ 1/10W F	
	R1142	NRSA63J-561X	MG R	560Ω 1/16W J			R1594	QRE121J-183Y	C R	18kΩ 1/2W J	
	R1143	NRSA63J-471X	MG R	470Ω 1/16W J			R1595	NRSA63J-222X	MG R	2.2kΩ 1/16W J	
	R1144	NRSA63J-220X	MG R	22Ω 1/16W J			R1621-22	NRSA63J-101X	MG R	100Ω 1/16W J	
	R1145	NRSA63J-821X	MG R	820Ω 1/16W J			R1626	NRSA63J-472X	MG R	4.7kΩ 1/16W J	
	R1146	NRSA63J-103X	MG R	10kΩ 1/16W J			R1627	NRSA63J-224X	MG R	220kΩ 1/16W J	
	R1147	NRSA63J-101X	MG R	100Ω 1/16W J			R1628	NRSA63J-104X	MG R	100kΩ 1/16W J	
	R1148	NRSA63J-332X	MG R	3.3kΩ 1/16W J			R1629	NRSA63J-153X	MG R	15kΩ 1/16W J	
	R1149	QRE141J-122Y	C R	1.2kΩ 1/4W J			R1630	NRSA63J-273X	MG R	27kΩ 1/16W J	
	R1301-02	NRSA63J-222X	MG R	2.2kΩ 1/16W J			R1631	NRSA63J-473X	MG R	47kΩ 1/16W J	
	R1303	NRSA63J-562X	MG R	5.6kΩ 1/16W J			R1632-33	NRSA63J-103X	MG R	10kΩ 1/16W J	
	R1304-05	NRSA63J-222X	MG R	2.2kΩ 1/16W J			R1640	QRE141J-102Y	C R	1kΩ 1/4W J	
	R1306	NRSA63J-562X	MG R	5.6kΩ 1/16W J			R1650-51	NRSA63J-392X	MG R	3.9kΩ 1/16W J	
	R1307	NRSA63J-103X	MG R	10kΩ 1/16W J			R1654-55	NRSA63J-392X	MG R	3.9kΩ 1/16W J	
	R1308	NRSA63J-101X	MG R	100Ω 1/16W J			R1658-59	QRE121J-2R2Y	C R	2.2Ω 1/2W J	
	R1309	NRSA63J-104X	MG R	100kΩ 1/16W J			R1660	NRSA63J-103X	MG R	10kΩ 1/16W J	
	R1310	NRSA63J-473X	MG R	47kΩ 1/16W J			R1661	NRSA63J-683X	MG R	68kΩ 1/16W J	
	R1311	NRSA63J-123X	MG R	12kΩ 1/16W J			R1662	NRSA63J-333X	MG R	33kΩ 1/16W J	
	R1401	NRSA63J-224X	MG R	220kΩ 1/16W J			R1663	NRSA63J-103X	MG R	10kΩ 1/16W J	
	R1403	NRSA63J-0R0X	MG R	0.0Ω 1/16W J			R1664	NRSA63J-222X	MG R	2.2kΩ 1/16W J	
	R1405	NRSA63J-682X	MG R	6.8kΩ 1/16W J			R1688	NRSA63J-273X	MG R	27kΩ 1/16W J	
	R1406	NRSA63J-472X	MG R	4.7kΩ 1/16W J			R1690	NRSA63J-104X	MG R	100kΩ 1/16W J	
	R1408	NRSA63J-682X	MG R	6.8kΩ 1/16W J			R1692	NRSA63J-104X	MG R	100kΩ 1/16W J	
	R1410	NRSA63J-472X	MG R	4.7kΩ 1/16W J			R1693	NRSA63J-103X	MG R	10kΩ 1/16W J	
	R1411	QRG01GJ-221	OM R	220Ω 1W J			R1694	NRSA63J-472X	MG R	4.7kΩ 1/16W J	
	R1412	QRE121J-1R0Y	C R	1.0Ω 1/2W J			R1695	NRSA63J-562X	MG R	5.6kΩ 1/16W J	
	R1413	QRX01GJ-1R2	MF R	1.2Ω 1W J			R1696	NRSA63J-222X	MG R	2.2kΩ 1/16W J	
	R1414	QRE121J-1R8Y	C R	1.8Ω 1/2W J			R1701	NRSA63J-103X	MG R	10kΩ 1/16W J	
	R1425	NRSA63J-683X	MG R	68kΩ 1/16W J			R1702-03	NRSA63J-101X	MG R	100Ω 1/16W J	
	R1478-79	NRSA63J-101X	MG R	100Ω 1/16W J			R1704-05	NRSA63J-102X	MG R	1kΩ 1/16W J	
	R1480	QRE121J-681Y	C R	680Ω 1/2W J			R1706	NRSA63J-682X	MG R	6.8kΩ 1/16W J	
	R1481	NRSA63J-223X	MG R	22kΩ 1/16W J			R1707-10	NRSA63J-472X	MG R	4.7kΩ 1/16W J	
	R1482	NRSA63J-562X	MG R	5.6kΩ 1/16W J			R1711-14	NRSA63J-101X	MG R	100Ω 1/16W J	
	R1483	NRSA63J-823X	MG R	82kΩ 1/16W J			R1715-17	NRSA63J-103X	MG R	10kΩ 1/16W J	
	R1484	NRSA63J-562X	MG R	5.6kΩ 1/16W J			R1718-19	NRSA63J-221X	MG R	220Ω 1/16W J	
	R1485	NRSA63J-123X	MG R	12kΩ 1/16W J			R1720	NRSA63J-102X	MG R	1kΩ 1/16W J	
	R1486	NRSA63J-272X	MG R	2.7kΩ 1/16W J			R1721-24	NRSA63J-221X	MG R	220Ω 1/16W J	
	R1487	NRSA63J-333X	MG R	33kΩ 1/16W J			R1725	NRSA63J-103X	MG R	10kΩ 1/16W J	
	R1489	NRSA63J-122X	MG R	1.2kΩ 1/16W J			R1726	NRSA63J-472X	MG R	4.7kΩ 1/16W J	
	R1490	NRSA63J-102X	MG R	1kΩ 1/16W J			R1727	NRSA63J-104X	MG R	100kΩ 1/16W J	
	R1491	NRSA63J-562X	MG R	5.6kΩ 1/16W J			R1728	NRSA63J-103X	MG R	10kΩ 1/16W J	

△ Symbol No.	Part No.	Part Name	Description	Local
RESISTOR				
R1730	NRSA63J-223X	MG R	22kΩ 1/16W J	
R1731	NRSA63J-101X	MG R	100Ω 1/16W J	
R1732	NRSA02F-393X	MF R	39kΩ 2W F	
R1733	NRSA63J-273X	MG R	27kΩ 1/16W J	
R1734	NRSA63J-391X	MG R	390Ω 1/16W J	
R1735	NRSA63J-104X	MG R	100kΩ 1/16W J	
R1736	NRSA63J-333X	MG R	33kΩ 1/16W J	
R1737	NRSA63J-272X	MG R	2.7kΩ 1/16W J	
R1738	NRSA63J-103X	MG R	10kΩ 1/16W J	
R1739-41	NRSA63J-101X	MG R	100Ω 1/16W J	
R1742	NRSA63J-0R0X	MG R	0.0Ω 1/16W J	
R1744	NRSA63J-561X	MG R	560Ω 1/16W J	
R1745	NRSA63J-105X	MG R	1MΩ 1/16W J	
R1746	NRSA63J-333X	MG R	33kΩ 1/16W J	
R1747	NRSA63J-103X	MG R	10kΩ 1/16W J	
R1748	QRE141J-394Y	C R	390kΩ 1/4W J	
R1749	QRE141J-334Y	C R	330kΩ 1/4W J	
R1755-56	NRSA63J-101X	MG R	100Ω 1/16W J	
R1757-58	NRSA63J-222X	MG R	2.2kΩ 1/16W J	
R1803	NRSA63J-333X	MG R	33kΩ 1/16W J	
R1804-07	NRSA63J-750X	MG R	75Ω 1/16W J	
R1808	NRSA63J-823X	MG R	82kΩ 1/16W J	
R1809	NRSA63J-391X	MG R	390Ω 1/16W J	
R1810	NRSA63J-823X	MG R	82kΩ 1/16W J	
R1811	NRSA63J-391X	MG R	390Ω 1/16W J	
R1812	NRSA63J-104X	MG R	100kΩ 1/16W J	
R1813	NRSA63J-222X	MG R	2.2kΩ 1/16W J	
R1815	NRSA63J-101X	MG R	100Ω 1/16W J	
R1818	NRSA63J-222X	MG R	2.2kΩ 1/16W J	
R1820	NRSA63J-101X	MG R	100Ω 1/16W J	
R1821	NRSA63J-222X	MG R	2.2kΩ 1/16W J	
R1823	NRSA63J-101X	MG R	100Ω 1/16W J	
R1824	NRSA63J-222X	MG R	2.2kΩ 1/16W J	
R1826	NRSA63J-101X	MG R	100Ω 1/16W J	
R1830-31	NRSA63J-222X	MG R	2.2kΩ 1/16W J	
R1832	QRE141J-391Y	C R	390Ω 1/4W J	
R1833	NRSA63J-331X	MG R	330Ω 1/16W J	
R1834-35	NRSA63J-562X	MG R	5.6kΩ 1/16W J	
R1836	NRSA63J-750X	MG R	75Ω 1/16W J	
R1837	NRSA63J-101X	MG R	100Ω 1/16W J	
R1838	QRK126J-121X	C R	120Ω 1/2W J	
R1839-40	QRE121J-221Y	C R	220Ω 1/2W J	
R1841-42	NRSA63J-0R0X	MG R	0.0Ω 1/16W J	
R1843	NRSA63J-821X	MG R	820Ω 1/16W J	
R1844	NRSA63J-222X	MG R	2.2kΩ 1/16W J	
R1845	NRSA63J-102X	MG R	1kΩ 1/16W J	
R1846	NRSA63J-222X	MG R	2.2kΩ 1/16W J	
R1847	NRSA63J-103X	MG R	10kΩ 1/16W J	
R1848	NRSA63J-221X	MG R	220Ω 1/16W J	
R1849	NRSA63J-471X	MG R	470Ω 1/16W J	
R1880	NRSA63J-202X	MG R	2kΩ 1/16W J	
R1881	NRSA63J-103X	MG R	10kΩ 1/16W J	
R1882	NRSA63J-181X	MG R	180Ω 1/16W J	
R1883	NRSA63J-471X	MG R	470Ω 1/16W J	
R1902	QRF154K-2R2	UNF R	2.2Ω K	
R1903	QRL039J-473	OM R	47kΩ 3W J	
R1904	QRE121J-681Y	C R	680Ω 1/2W J	
R1905	QRM034J-R10	MP R	0.1Ω 3W J	
R1908	NRSA63J-103X	MG R	10kΩ 1/16W J	
R1909	QRE121J-274Y	C R	270kΩ 1/2W J	
R1911	QRE121J-472Y	C R	4.7kΩ 1/2W J	
R1912	QRE121J-222Y	C R	2.2kΩ 1/2W J	
△ R1913	QRZ9017-4R7	F R	4.7Ω 1/4W J	
R1914	QRL039J-473	OM R	47kΩ 3W J	
R1915	QRE121J-394Y	C R	390kΩ 1/2W J	
R1916	QRE121J-332Y	C R	3.3kΩ 1/2W J	
R1917	NRSA63J-101X	MG R	100Ω 1/16W J	
R1918	NRSA63J-224X	MG R	220kΩ 1/16W J	
R1919	NRSA63J-104X	MG R	100kΩ 1/16W J	
R1920	NRSA63J-473X	MG R	47kΩ 1/16W J	
R1921	QRE121J-563Y	C R	56kΩ 1/2W J	
R1951	QRE121J-223Y	C R	22kΩ 1/2W J	

△ Symbol No.	Part No.	Part Name	Description	Local
RESISTOR				
R1952	NRSA63J-222X	MG R	2.2kΩ 1/16W J	
R1953	QRE121J-152Y	C R	1.5kΩ 1/2W J	
R1955	QRG01GJ-470	OM R	47Ω 1W J	
R1957	QRE121J-5R6Y	C R	5.6Ω 1/2W J	
R1958	QRL039J-820	OM R	82Ω 3W J	
R1959	QRE121J-820Y	C R	82Ω 1/2W J	
R1960	NRSA63J-391X	MG R	390Ω 1/16W J	
R1961	QRL02EJ-223X	OM R	22kΩ 2W J	
R1963	QRE121J-332Y	C R	3.3kΩ 1/2W J	
R1964	NRSA63J-103X	MG R	10kΩ 1/16W J	
R1965	NRSA63J-0R0X	MG R	0.0Ω 1/16W J	
R1966	NRSA63J-682X	MG R	6.8kΩ 1/16W J	
R1967	NRSA63J-473X	MG R	47kΩ 1/16W J	
R1969	QRT02EJ-2R7X	MF R	2.7Ω 2W J	
R1970	NRSA63J-153X	MG R	15kΩ 1/16W J	
R1971	NRSA63J-183X	MG R	18kΩ 1/16W J	
△ R1991	QRZ0057-825	C R	8.2MΩ 1W J	
CAPACITOR				
C1001	NCB31HK-103X	C CAP.	0.01μF 50V K	
C1002	QETN1HM-106Z	E CAP.	10μF 50V M	
C1003	QFV71HJ-104Z	MF CAP.	0.1μF 50V J	
C1004	QETN1CM-477Z	E CAP.	470μF 16V M	
C1005	NCB31HK-222X	C CAP.	2200pF 50V K	
C1006	QETN1CM-336Z	E CAP.	33μF 16V M	
C1007	NCB31HK-103X	C CAP.	0.01μF 50V K	
C1101-05	NCB31HK-472X	C CAP.	4700pF 50V K	
C1106-07	NCB31HK-103X	C CAP.	0.01μF 50V K	
C1109	QETN1HM-106Z	E CAP.	10μF 50V M	
C1130-32	NCB31HK-103X	C CAP.	0.01μF 50V K	
C1133	QETN1CM-107Z	E CAP.	100μF 16V M	
C1134	NCB31HK-103X	C CAP.	0.01μF 50V K	
C1135	QETN1EM-476Z	E CAP.	47μF 25V M	
C1136-38	NCB31HK-103X	C CAP.	0.01μF 50V K	
C1140-42	NCB31HK-103X	C CAP.	0.01μF 50V K	
C1143	QETN1HM-106Z	E CAP.	10μF 50V M	
C1144	NCB31HK-223X	C CAP.	0.022μF 50V K	
C1301-02	NCB31CK-104X	C CAP.	0.1μF 16V K	
C1304-05	NCB31HK-103X	C CAP.	0.01μF 50V K	
C1306	NCB31CK-104X	C CAP.	0.1μF 16V K	
C1307	NDC31HJ-330X	C CAP.	33pF 50V J	
C1308	NCB31HK-103X	C CAP.	0.01μF 50V K	
C1401	QETN1HM-105Z	E CAP.	1μF 50V M	
C1402	QCB31HK-682Z	C CAP.	6800pF 50V K	
C1403	QEHR1VM-107Z	E CAP.	100μF 35V M	
C1411-12	NCF21HZ-334X	C CAP.	0.33μF 50V Z	
C1413	QFLC2AJ-563Z	M CAP.	0.056μF 100V J	
C1422	QEHR1VM-108Z	E CAP.	1000μF 35V M	
C1471	QETN1HM-106Z	E CAP.	10μF 50V M	
C1480	QETN1HM-106Z	E CAP.	10μF 50V M	
C1483	QEZO195-475Z	E CAP.	4.7μF 50V M	
C1485	QETN1HM-226Z	E CAP.	22μF 50V M	
C1521	QETN1VM-476Z	E CAP.	47μF 35V M	
C1522	QFLC1HJ-332Z	M CAP.	3300pF 50V J	
C1523	QFLC1HJ-223Z	M CAP.	0.022μF 50V J	
C1524	QFZ0200-372	MPP CAP.	3700pF 1.5kVH±3%	
C1525	QFZ0200-123	MPP CAP.	0.012μF 1.5kVH±3%	
C1526	QFP32JJ-223	PP CAP.	0.022μF 630V J	
C1527	QFZ0199-184	MPP CAP.	0.18μF 250V J	
C1528	QFZ0199-204	MPP CAP.	0.2μF 250V J	
C1529	QENC2AM-225Z	BP E CAP.	2.2μF 100V M	
C1530	QCB32HK-561Z	C CAP.	560pF 500V K	
C1531	QEHR1EM-108Z	E CAP.	1000μF 25V M	
C1532	QCB32HK-561Z	C CAP.	560pF 500V K	
C1533	QEHR1EM-108Z	E CAP.	1000μF 25V M	
C1534	QCB32HK-561Z	C CAP.	560pF 500V K	
C1536	QFLC1HJ-103Z	M CAP.	0.01μF 50V J	
C1540	QFV71HJ-104Z	MF CAP.	0.1μF 50V J	
C1541	QETN2EM-106Z	E CAP.	10μF 250V M	
C1542	QFZ0128-473	MPP CAP.	0.047μF 400V±3%	
C1550	NCB31CK-104X	C CAP.	0.1μF 16V K	
C1561	QFV11HJ-683Z	TF CAP.	0.068μF 50V J	

△ Symbol No.	Part No.	Part Name	Description	Local	△ Symbol No.	Part No.	Part Name	Description	Local
CAPACITOR					CAPACITOR				
C1563-64	QCZ0122-471	C CAP.	470pF 2000V	K	C1819	QFLC1HJ-104Z	M CAP.	0.1μF	50V J
C1565	QFZ0122-682	MPP CAP.	6800pF 1.8kVH±3%		C1820-21	NCF31AZ-105X	C CAP.	1μF	10V Z
C1566	QFZ0200-113	MPP CAP.	0.011μF 1.5kVH±3%		C1822	QETN1AM-477Z	E CAP.	470μF	10V M
C1571	QETN1CM-476Z	E CAP.	47μF 16V M		C1823-24	QETN1CM-107Z	E CAP.	100μF	16V M
C1575	QETN1EM-476Z	E CAP.	47μF 25V M		C1825	NCB31HK-103X	C CAP.	0.01μF	50V K
C1591	QETN1AM-107Z	E CAP.	100μF 10V M		C1826	QFLC1HJ-104Z	M CAP.	0.1μF	50V J
C1592	QETM2CM-227	E CAP.	220μF 160V M		C1827	NCB31HK-103X	C CAP.	0.01μF	50V K
C1593	QETN1EM-476Z	E CAP.	47μF 25V M		C1829-31	NCB31HK-103X	C CAP.	0.01μF	50V K
C1610	QETN1CM-228Z	E CAP.	2200μF 16V M		C1834	NDC31HJ-181X	C CAP.	180pF	50V J
C1625	QETN1HM-106Z	E CAP.	10μF 50V M		△ C1902	QFZ9073-104	MF CAP.	0.1μF	
C1626	QETN1CM-107Z	E CAP.	100μF 16V M		C1903-05	QCZ9015-102Z	C CAP.	1000pF	250V Z
C1629	QETN1HM-475Z	E CAP.	4.7μF 50V M		C1907	QEZ0371-337	E CAP.	330pF	400V M
C1630	NDC31HJ-471X	C CAP.	470pF 50V J		C1909	QCZ0325-821	C CAP.	820pF	2000V K
C1631	NCB31EK-333X	C CAP.	0.033μF 25V K		C1910	NDC31HJ-471X	C CAP.	470pF	50V J
C1634	QETN1HM-106Z	E CAP.	10μF 50V M		C1911	QETN1HM-476Z	E CAP.	47μF	50V M
C1636-37	QETN1HM-105Z	E CAP.	1μF 50V M		C1916	QETN1EM-476Z	E CAP.	47μF	25V M
C1638	NCB31EK-333X	C CAP.	0.033μF 25V K		C1917	QCB32HK-181Z	C CAP.	180pF	500V K
C1639	NDC31HJ-471X	C CAP.	470pF 50V J		C1918	QCB32HK-103	C CAP.	0.01μF	500V K
C1640	QETN1HM-475Z	E CAP.	4.7μF 50V M		C1919	QCZ0325-391	C CAP.	390pF	2000V K
C1641	QETN1CM-107Z	E CAP.	100μF 16V M		C1952	QCB32HK-471Z	C CAP.	470pF	500V K
C1642	NCB31CK-104X	C CAP.	0.1μF 16V K		C1953	QEHQ1VM-228	E CAP.	2200pF	35V M
C1643	NCB31HK-562X	C CAP.	5600pF 50V K		C1955	QCB32HK-471Z	C CAP.	470pF	500V K
C1644	QETN1HM-475Z	E CAP.	4.7μF 50V M		C1956	QETN1VM-107Z	E CAP.	100μF	35V M
C1645-46	QETN1HM-106Z	E CAP.	10μF 50V M		C1957	QCB31HK-471Z	C CAP.	470pF	50V K
C1647	NCB31EK-393X	C CAP.	0.039μF 25V K		C1958	QEHR1CM-108Z	E CAP.	1000μF	16V M
C1648	NCB31HK-223X	C CAP.	0.022μF 50V K		C1959	QCZ0364-561	C CAP.	560pF	
C1650	QEHR1HM-106Z	E CAP.	10μF 50V M		C1960	QEZ0203-227	E CAP.	220pF	160V M
C1651	QEHQ1HM-107	E CAP.	100μF 50V M		C1962	QETN1HM-106Z	E CAP.	10μF	50V M
C1652	QETN1HM-106Z	E CAP.	10μF 50V M		C1963	QETN1CM-477Z	E CAP.	470μF	16V M
C1659-61	NCF21HZ-224X	C CAP.	0.22μF 50V Z		C1964	QETN1CM-476Z	E CAP.	47μF	16V M
C1662	QETN1HM-106Z	E CAP.	10μF 50V M		C1965	QETN1VM-476Z	E CAP.	47μF	35V M
C1663	NCF21HZ-224X	C CAP.	0.22μF 50V Z		C1966	QETN1CM-107Z	E CAP.	100μF	16V M
C1665	NCF31AZ-105X	C CAP.	1μF 10V Z		C1968	NCB31CK-104X	C CAP.	0.1μF	16V K
C1669	NCF31AZ-105X	C CAP.	1μF 10V Z		C1972	QETN1HM-476Z	E CAP.	47μF	50V M
C1681-82	QETN1CM-227Z	E CAP.	220μF 16V M		C1974	NCB31CK-104X	C CAP.	0.1μF	16V K
C1683	QETN1CM-336Z	E CAP.	33μF 16V M		C1975	QETN1CM-227Z	E CAP.	220μF	16V M
C1684	QETN1HM-106Z	E CAP.	10μF 50V M		C1977	QETN1EM-476Z	E CAP.	47μF	25V M
C1702	QETN1HM-106Z	E CAP.	10μF 50V M		C1978	NCB21HK-104X	C CAP.	0.1μF	50V K
C1703-04	NDC31HJ-220X	C CAP.	22pF 50V J		C1980	QETN1CM-107Z	E CAP.	100μF	16V M
C1706	NCB21EK-224X	C CAP.	0.22μF 25V K		C1981	NCB31HK-102X	C CAP.	1000pF	50V K
C1707	QETN1CM-107Z	E CAP.	100μF 16V M		C1982	QETN1CM-476Z	E CAP.	47μF	16V M
C1709	QETN0JM-477Z	E CAP.	470μF 6.3V M		C1983	QETN1CM-107Z	E CAP.	100μF	16V M
C1710	QFV21HJ-224Z	MF CAP.	0.22μF 50V J		△ C1991	QCZ9079-102	C CAP.	1000pF	250V M
C1711	NCB31CK-104X	C CAP.	0.1μF 16V K		△ C1992-93	QCZ9079-471	C CAP.	470pF	250V K
C1712	QETN1CM-476Z	E CAP.	47μF 16V M		TRANSFORMER				
C1713	QFV11HJ-104Z	TF CAP.	0.1μF 50V J		T1521	QQR1229-001	DRIVE TRANSF.		
C1720	QETN1HM-476Z	E CAP.	47μF 50V M		△ T1551	QQH0077-001	H.V.TRANSF.		
C1725	NCB31HK-681X	C CAP.	680pF 50V K		T1561	QQR1153-001	DEF.TRANSF.		
C1730-31	NCB21EK-224X	C CAP.	0.22μF 25V K		△ T1901	QQS0110-001	SWICH.TRANSF.		
C1732	QETN1CM-107Z	E CAP.	100μF 16V M		COIL				
C1733	NCB31CK-104X	C CAP.	0.1μF 16V K		L1001-02	QQL244K-8R2Z	COIL	8.2μH	K
C1734-35	NCB31HK-222X	C CAP.	2200pF 50V K		L1101-02	QQL244J-5R6Z	COIL	5.6μH	J
C1736-37	QETN1HM-105Z	E CAP.	1μF 50V M		L1103	QQL244K-100Z	COIL	10μH	K
C1738	NCB31CK-104X	C CAP.	0.1μF 16V K		L1104	QQL244K-180Z	COIL	18μH	K
C1739	NFV41CJ-104X	MPP CAP.	0.1μF 16V J		L1301	QQL244K-221Z	COIL	220μH	K
C1740	QETN1HM-225Z	E CAP.	2.2μF 50V M		L1401	QQL26AK-220Z	COIL	22μH	K
C1741-42	NCB31CK-104X	C CAP.	0.1μF 16V K		L1480	QQR1138-001	CHOKE COIL		
C1743	QETN1CM-107Z	E CAP.	100μF 16V M		L1522	QQLZ028-501	CHOKE COIL		
C1744	NCB31HK-222X	C CAP.	2200pF 50V K		L1523	QQR1243-001	LINEARITY COIL		
C1745-47	NCB31EK-473X	C CAP.	0.047μF 25V K		L1541	QQL244K-220Z	COIL	22μH	K
C1749	QETN1HM-106Z	E CAP.	10μF 50V M		L1561	QQLZ028-272	CHOKE COIL		
C1751-53	NCB21HK-104X	C CAP.	0.1μF 50V K		L1701-02	QQL244K-100Z	COIL	10μH	K
C1801-04	QETN1HM-106Z	E CAP.	10μF 50V M		L1731	QRN143J-0R0X	C R	0.0Ω	1/4W J
C1805	QFLC1HJ-104Z	M CAP.	0.1μF 50V J		L1951	QQLZ034-460	CHOKE COIL		
C1807-08	NCF31AZ-105X	C CAP.	1μF 10V Z		L1953	QQL244J-5R6Z	COIL	5.6μH	J
C1810	NCF31AZ-105X	C CAP.	1μF 10V Z		L1954	QQL26AK-820Z	COIL	82μH	K
C1811	QFLC1HJ-104Z	M CAP.	0.1μF 50V J		DIODE				
C1812	NCF31AZ-105X	C CAP.	1μF 10V Z		D1101	1SS85-T2	SI.DIODE		
C1813	NCB31HK-103X	C CAP.	0.01μF 50V K		D1401	RGP10J-5025-T3	SI.DIODE		
C1814	QFLC1HJ-104Z	M CAP.	0.1μF 50V J						
C1815	NCF31AZ-105X	C CAP.	1μF 10V Z						
C1817	NCF31AZ-105X	C CAP.	1μF 10V Z						

△ Symbol No.	Part No.	Part Name	Description	Local
DIODE				
D1402	MTZJ75-T2	ZENER DIODE		
D1405	1N4003-T2	SI.DIODE		
D1408	MA111-X	SI.DIODE		
D1480	MTZJ4.3A-T2	ZENER DIODE		
D1521	RH3G-F1	SI.DIODE		
D1522	31DF6N-FC5	DIODE		
D1523	RGP10J-5025-T3	SI.DIODE		
D1541	RGP10J-5025-T3	SI.DIODE		
D1550	MA111-X	SI.DIODE		
D1551	EU2-T3	SI.DIODE		
D1553	RGP10J-5025-T3	SI.DIODE		
D1554	RGP10J-5025-T3	SI.DIODE		
D1561-62	ES1F-LFG2	SI.DIODE		
D1592	MA3075/H-X	ZENER DIODE		
D1652-53	MA3330/L-X	ZENER DIODE		
D1682	MA111-X	SI.DIODE		
D1683	NRSA63J-OR0X	MG R	0.0Ω 1/16W J	
D1702	MA3020-X	ZENER DIODE		
D1730-33	MA111-X	SI.DIODE		
D1801-02	MA3120/M-X	ZENER DIODE		
D1901	GSIB460	DIODE		
D1902	MTZJ33B-T2	ZENER DIODE		
D1903	1SS133-T2	SI.DIODE		
D1906	MTZJ27B-T2	ZENER DIODE		
D1907	MTZJ33B-T2	ZENER DIODE		
D1908	MA3200/M-X	ZENER DIODE		
D1909	MA111-X	SI.DIODE		
D1910	MA3075/H-X	ZENER DIODE		
D1911	RGP10J-5025-T3	SI.DIODE		
D1912	RGP10J-5025-T3	SI.DIODE		
D1913	RGP10M-5010-T3	SI.DIODE		
D1914	1SS133-T2	SI.DIODE		
D1915	MA3068/M-X	ZENER DIODE		
D1916	MTZJ15B-T2	ZENER DIODE		
D1950	RGP10J-5025-T3	SI.DIODE		
D1952	ERC30-02L38	SI.DIODE		
D1953	RGP10J-5025-T3	SI.DIODE		
D1954	RU30A-F1	SI.DIODE		
D1955	1SR35-400A-T2	SI.DIODE		
D1956	31DF6N-FC5	DIODE		
D1958	MTZJ5.1A-T2	ZENER DIODE		
D1960	MA111-X	SI.DIODE		
D1964	MA3330/L-X	ZENER DIODE		
D1966	MA3039/H-X	ZENER DIODE		
D1968-69	MA111-X	SI.DIODE		
D1970	MTZJ9.1B-T2	ZENER DIODE		
D1971	MA111-X	SI.DIODE		
TRANSISTOR				
Q1101	2SC5083/L-P/T	SI.TRANSISTOR		
Q1102	DTC124EKA-X	DIGI.TRANSISTOR		
Q1104	2SA1037AK/QR/-X	SI.TRANSISTOR		
Q1105-06	DTC124EKA-X	DIGI.TRANSISTOR		
Q1107	2SA1037AK/QR/-X	SI.TRANSISTOR		
Q1108	2SC2412K/QR/-X	SI.TRANSISTOR		
Q1109	2SA1037AK/QR/-X	SI.TRANSISTOR		
Q1110	DTC124EKA-X	DIGI.TRANSISTOR		
Q1111	2SC2412K/QR/-X	SI.TRANSISTOR		
Q1130	2SA1037AK/QR/-X	SI.TRANSISTOR		
Q1131	DTC124EKA-X	DIGI.TRANSISTOR		
Q1132	2SC2412K/QR/-X	SI.TRANSISTOR		
Q1133	2SA1037AK/QR/-X	SI.TRANSISTOR		
Q1134-35	DTC124EKA-X	DIGI.TRANSISTOR		
Q1136-37	2SC2412K/QR/-X	SI.TRANSISTOR		
Q1301-02	2SA1037AK/QR/-X	SI.TRANSISTOR		
Q1303	DTC124EKA-X	DIGI.TRANSISTOR		
Q1304	2SC2412K/QR/-X	SI.TRANSISTOR		
Q1480	2SD1408/OY/-LB	SI.TRANSISTOR		
Q1521	2SC2655/Y/-T	SI.TRANSISTOR		
Q1522	2SD2634-YD	SI.TRANSISTOR		
Q1574	2SC2412K/QR/-X	SI.TRANSISTOR		
Q1575	2SC4686A	SI.TRANSISTOR		
Q1591	2SA1208/ST/Z1-T	SI.TRANSISTOR		

△ Symbol No.	Part No.	Part Name	Description	Local
TRANSISTOR				
Q1592	DTC124EKA-X	DIGI.TRANSISTOR		
Q1660-61	2SC2412K/QR/-X	SI.TRANSISTOR		
Q1683-84	2SA1037AK/QR/-X	SI.TRANSISTOR		
Q1685-86	DTC323TK-X	DIGI.TRANSISTOR		
Q1687	2SC2412K/QR/-X	SI.TRANSISTOR		
Q1688	2SA1037AK/QR/-X	SI.TRANSISTOR		
Q1701-02	2SA1037AK/QR/-X	SI.TRANSISTOR		
Q1703	2SC2412K/QR/-X	SI.TRANSISTOR		
Q1720	2SA1037AK/QR/-X	SI.TRANSISTOR		
Q1801-02	DTC323TK-X	DIGI.TRANSISTOR		
Q1803	2SA1037AK/QR/-X	SI.TRANSISTOR		
Q1804	2SC1740S/QR/-T	SI.TRANSISTOR		
Q1833	QETN1HM-226Z	E CAP.	22μF 50V M	
Q1860	2SC2412K/QR/-X	SI.TRANSISTOR		
Q1861-62	2SA1037AK/QR/-X	SI.TRANSISTOR		
Q1901	2SC3852A	SI.TRANSISTOR		
Q1902-03	2SA1037AK/QR/-X	SI.TRANSISTOR		
Q1951	2SA1013/RO/-T	SI.TRANSISTOR		
Q1952-54	2SC2412K/QR/-X	SI.TRANSISTOR		
IC				
IC1130	M52342SP	I.C(MONO-ANA)		
IC1301	TDA9181T/N1-X	I.C(MONO-ANA)		
IC1401	LA78041	I.C(MONO-ANA)		
IC1461	JLC1562BF-X	I.C(DIGI-MOS)		
IC1480	UPC358G2-XE	I.C(MONO-ANA)		
IC1602	BH3865S	I.C		
IC1650	AN5277	I.C(MONO-ANA)		
IC1701	TDA9386N12S0432	I.C		
IC1702	AT24C08-34LS	I.C(MEMORY-OTH)	(SERVICE)	
IC1801	MM1492AF	I.C(MONO-ANA)		
IC1901	STR-F6456S/F7	I.C(HYBRID)		
IC1951	SE135N	I.C(HYBRID)		
IC1972	L88M33T-X	I.C(MONO-ANA)		
IC1973	BA17812T	I.C(MONO-ANA)		
IC1974	BA51W12ST-V5	I.C(MONO-ANA)		
OTHERS				
CF1103	TPSH6.0MB	CERAMIC FILTER		
CF1104	TPS5.5MW	CERAMIC FILTER		
CF1105	TPS6.5MB	CERAMIC FILTER		
CF1106	QAX0639-001Z	CERAMIC FILTER		
CF1130	QAX0642-001Z	CERAMIC FILTER		
CF1140	QAX0336-001	CERAMIC FILTER		
CF1141	QAX0337-001	CERAMIC FILTER		
CF1142	QAX0338-001	CERAMIC FILTER		
△ CP1650	ICP-N50-Y	I.C.PROTECT		
△ CP1951	ICP-N75-Y	I.C.PROTECT		
△ CP1953	ICP-N38-Y	I.C.PROTECT		
J1801	QNN0349-001	PIN JACK		
J1802	QNN0349-002	PIN JACK		
J1803	QNN0348-001	PIN JACK		
J1804	QNN0349-001	PIN JACK		
K1301	CE41433-001Z	BEADS CORE		
K1902	QQR1214-001Y	FERRITE BEADS		
K1903	CE41433-001Z	BEADS CORE		
K1904	CE42050-001Z	CORE		
K1951	QQR1214-001Y	FERRITE BEADS		
K1953-55	QQR1214-001Y	FERRITE BEADS		
△ LF1901	QQR1035-002	LINE FILTER		
△ PC1901	PC123F2	I.C(PH.COUPLER)		
△ RY1901	QSK0061-001	RELAY		
SF1101	QAX0325-001	SAW FILTER		
SF1102	QAX0594-001	SAW FILTER		
TH1901	QAD0134-4R5	P.THERMISTOR		
TU1001	QAU0185-003	TUNER		
W1010	NRSA63J-OR0X	MG R	0.0Ω 1/16W J	
W1071	NRSA63J-OR0X	MG R	0.0Ω 1/16W J	
W1239	NRSA63J-OR0X	MG R	0.0Ω 1/16W J	
W1257	NRSA63J-OR0X	MG R	0.0Ω 1/16W J	

△ Symbol No.	Part No.	Part Name	Description	Local
OTHERS				
W1260	NRSA63J-0R0X	MG R	0.0Ω 1/16W J	
W1273	NRSA63J-0R0X	MG R	0.0Ω 1/16W J	
W1304	QRE121J-221Y	C R	220Ω 1/2W J	
W1306-07	NRSA63J-0R0X	MG R	0.0Ω 1/16W J	
W1309	NRSA63J-0R0X	MG R	0.0Ω 1/16W J	
W1310	QRE121J-221Y	C R	220Ω 1/2W J	
W1321-22	NRSA63J-0R0X	MG R	0.0Ω 1/16W J	
W1325-26	NRSA63J-0R0X	MG R	0.0Ω 1/16W J	
W1330	NRSA63J-0R0X	MG R	0.0Ω 1/16W J	
W1333	NRSA63J-0R0X	MG R	0.0Ω 1/16W J	
W1339-40	NRSA63J-0R0X	MG R	0.0Ω 1/16W J	
W1347	NRSA63J-0R0X	MG R	0.0Ω 1/16W J	
W1355	NRSA63J-0R0X	MG R	0.0Ω 1/16W J	
W1366	NRSA63J-0R0X	MG R	0.0Ω 1/16W J	
W1379	NRSA63J-0R0X	MG R	0.0Ω 1/16W J	
W1386	NRSA63J-0R0X	MG R	0.0Ω 1/16W J	
W1395	NRSA63J-0R0X	MG R	0.0Ω 1/16W J	
W1397	NRSA63J-0R0X	MG R	0.0Ω 1/16W J	
W1402-03	NRSA63J-0R0X	MG R	0.0Ω 1/16W J	
W1408	NRSA63J-0R0X	MG R	0.0Ω 1/16W J	
W1418	NRSA63J-0R0X	MG R	0.0Ω 1/16W J	
W1423	NRSA63J-0R0X	MG R	0.0Ω 1/16W J	
W1426-27	QRE141J-0R0Y	C R	0.0Ω 1/4W J	
X1701	QAX0688-001	CRYSTAL		
Y1001-02	NRSA63J-0R0X	MG R	0.0Ω 1/16W J	
Y1130	NRSA63J-0R0X	MG R	0.0Ω 1/16W J	
Y1601	NRSA63J-0R0X	MG R	0.0Ω 1/16W J	

CRT SOCKET PW BOARD ASS'Y (SCH-3002A-H2)

Parts list is the same as for AV-34LS. Refer to page 46.

FRONT CONTROL PW BOARD ASS'Y (SCH-8002A-H2)

Parts list is the same as for AV-34LS. Refer to page 47.

DIFFERENCE PARTS LIST BETWEEN AV-34LX, AV-34LX-A AND AV-3408TEE

In the DIFFERENCE PARTS LIST BETWEEN AV-34LX, AV-34LX-A and AV-3408TEE, only difference points between these models are written. For other parts not mentioned in the list, please refer to the PARTS LIST(P49 – P53) for the AV-34LX.

DIFFERENCE PARTS LIST

△	Symbol No.	Part No.			Part Name
		AV-34LX	AV-34LX-A	AV-3408TEE	
		SCH-1008A-H2	←	SCH-1038A-H2	MAIN PWB
	IC1701	TDA9386N12S0450	←	TDA9365N13S0455	IC

REMOTE CONTROL UNIT PARTS LIST

RM-C352-1C [AV-34LS, AV-34LS-AU]

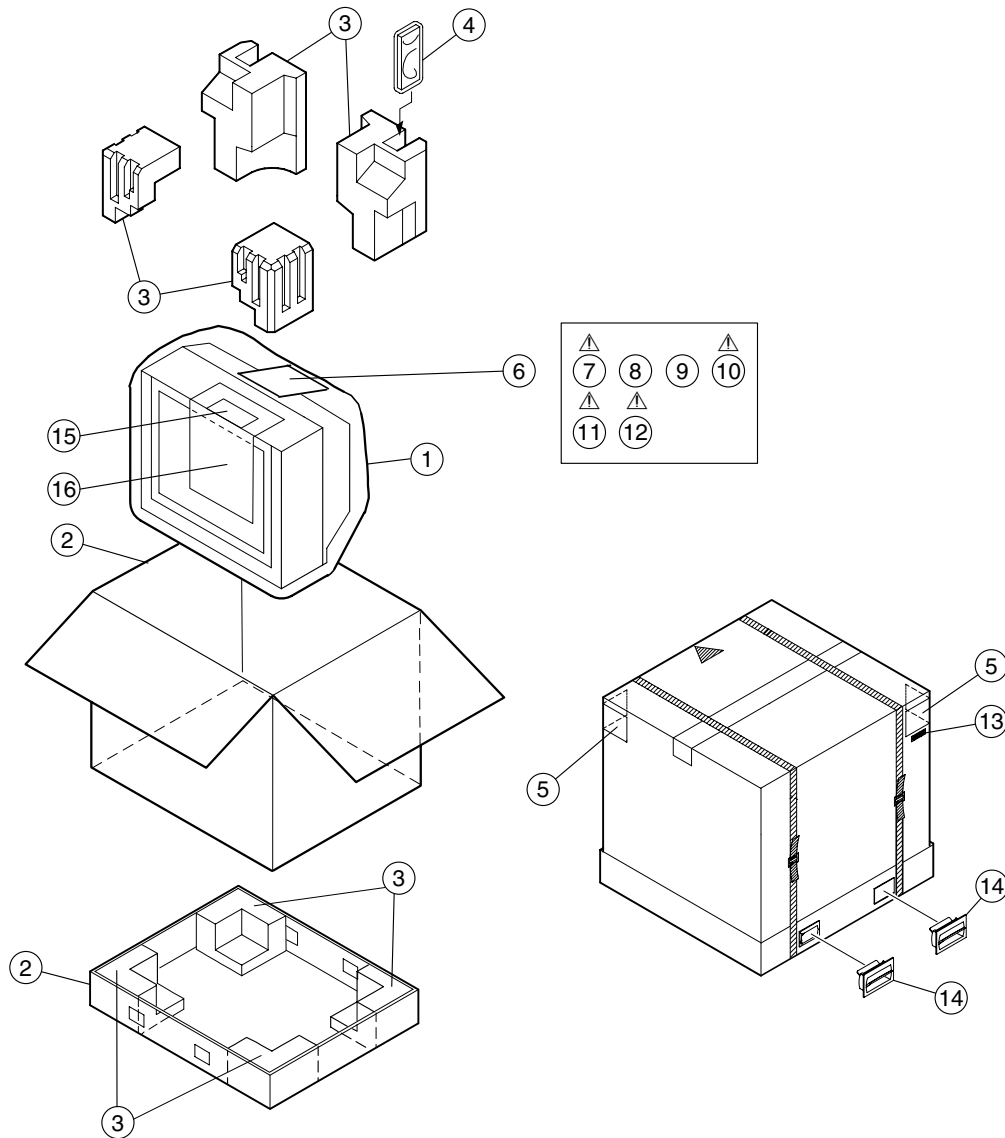
RM-C353-1C [AV-34LH]

RM-C357-1C [AV-34LX, AV-34LX-A]

RM-C355-1C [AV-3408TEE]

△	Ref. No.	Part No.	Part Name	Description	Local
		31392340128	BATTERY COVER		

PACKING



PACKING PARTS LIST

△ Ref.No.	Part No.	Part Name	Description	Local
1	CP30967-006-H	POLY BAG		
2	GG10144-001A-H	P CASE		
3	LC11084-002A-H	CUSHION ASSY		
4	RM-C352-1C	RC HAND UNIT	[AV-34LS,AV-34LS-AU]	
4	RM-C353-1C	RC HAND UNIT	[AV-34LH]	
4	RM-C355-1C	RC HAND UNIT	[AV-3408TEE]	
4	RM-C357-1C	RC HAND UNIT	[AV-34LX,AV-34LX-A]	
5	GG20012-001A-H	CORNER LABEL	(X2)	
△ 6	CP30966-001-H	POLY BAG		
△ 7	LCT0935-001B-H	INST BOOK	[AV-34LS,AV-34LH,AV-34LS-AU,AV-34LX,AV-34LX-A]	
△ 7	LCT1006-001B-H	INST BOOK	[AV-34LH]	
△ 7	LCT1007-001A-H	INST BOOK	[AV-3408TEE]	
8	BT-56001-2	WARRANTY CARD	[AV-34LS-AU]	
8	BT-54012-2	WARRANTY CARD	[AV-3408TEE]	
9	BT-56002-2	S CENTRE LIST	[AV-34LS-AU]	
△ 10	LCT0937-001A-H	DIGEST MANUAL	[AV-34LX,AV-34LX-A]	
△ 11	QAM0055-001	CONVERSION PLUG	[AV-34LX-A]	
△ 12	LC10057-001A-H	INST SHEET	[AV-34LS,AV-34LS-AU]	
△ 12	LC10058-001A-H	INST SHEET	[AV-3408TEE]	
13	CM46966-002	STICKER	[AV-34LS-AU]	
14	CP30903-001	JOINT	(X4)	
15	LC30947-002A-H	CAUTION SHEET		
16	LC30946-001A-H	CRT PROTECTOR		